

Intramedullary Nailing
Intramed System
Interlocking System
Würzburger Ulna-Radius Nail



TREU = INSTRUMENTE

Küntscher Instrumentation Set



T 104 Küntscher Instrumentation Set
15-1010 Container
15-3012 Tray

1-1096 1 Diamond Point Awl. Femur 10 mm
1-1100 1 Reamer
1-1102 1 Slotted Hammer
1-1104 1 Slotted Nail Driver
1-1106 1 Nail Driver 6 - 8 mm
1-1108 1 Nail Driver 9 - 12 mm
1-1110 1 Nail Driver 13 - 20 mm
1-1120 1 Nail Extractor with 2 hooks
1-1888 1 Measuring Gauge
9-704 1 Mallet



TREU = INSTRUMENTE

Küntscher Cloverleaf Medullary Nails - Single Slot



Length	6 mm	7 mm	8 mm	9 mm	10 mm	11 mm	12 mm	13 mm	14 mm	15 mm	16 mm	17 mm	18 mm
14 cm	01-0006	01-0020											
16 cm	01-0007	01-0021											
18 cm	01-0008	01-0022											
20 cm	01-0009	01-0023											
22 cm	01-0010	01-0024											
24 cm	01-0011	01-0025	01-0040										
26 cm	01-0012	01-0026	01-0041										
28 cm	01-0013	01-0027	01-0042										
30 cm	01-0014	01-0028	01-0043	01-0060									
32 cm	01-0015	01-0029	01-0044	01-0061	01-0080	01-0110							
34 cm	01-0016	01-0030	01-0045	01-0062	01-0081	01-0111	01-0130	01-0150	01-0170				
36 cm	01-0017	01-0031	01-0046	01-0063	01-0082	01-0112	01-0131	01-0151	01-0171	01-0190	01-0210	01-0230	01-0250
38 cm		01-0032	01-0047	01-0064	01-0083	01-0113	01-0132	01-0152	01-0172	01-0191	01-0211	01-0231	01-0251
40 cm		01-0033	01-0048	01-0065	01-0084	01-0114	01-0133	01-0153	01-0173	01-0192	01-0212	01-0232	01-0252
42 cm			01-0049	01-0066	01-0085	01-0115	01-0134	01-0154	01-0174	01-0193	01-0213	01-0233	01-0253
44 cm			01-0050	01-0067	01-0086	01-0116	01-0135	01-0155	01-0175	01-0194	01-0214	01-0234	01-0254
46 cm			01-0051	01-0068	01-0087	01-0117	01-0136	01-0156	01-0176	01-0195	01-0215	01-0235	01-0255
48 cm			01-0052	01-0069	01-0088	01-0118	01-0137	01-0157	01-0177	01-0196	01-0216	01-0236	01-0256
50 cm			01-0053	01-0070	01-0089	01-0119	01-0138	01-0158	01-0178	01-0197	01-0217	01-0237	01-0257
52 cm				01-0071	01-0090	01-0120	01-0139	01-0159	01-0179	01-0198	01-0218	01-0238	01-0258

Küntscher Cloverleaf Medullary Nails - Double Slot



Length	6 mm	7 mm	8 mm	9 mm	10 mm	11 mm	12 mm	13 mm	14 mm	15 mm	16 mm	17 mm	18 mm
14 cm	01-0300	01-0320											
16 cm	01-0301	01-0321											
18 cm	01-0302	01-0322											
20 cm	01-0303	01-0323											
22 cm	01-0304	01-0324											
24 cm	01-0305	01-0325	01-0340										
26 cm	01-0306	01-0326	01-0341										
28 cm	01-0307	01-0327	01-0342										
30 cm	01-0308	01-0328	01-0343	01-0360									
32 cm	01-0309	01-0329	01-0344	01-0361	01-0380	01-0410							
34 cm	01-0310	01-0330	01-0345	01-0362	01-0381	01-0411	01-0430	01-0450	01-0470				
36 cm	01-0311	01-0331	01-0346	01-0363	01-0382	01-0412	01-0431	01-0451	01-0471	01-0490	01-0500	01-0520	01-0540
38 cm		01-0332	01-0347	01-0364	01-0383	01-0413	01-0432	01-0452	01-0472	01-0491	01-0501	01-0521	01-0541
40 cm		01-0333	01-0348	01-0365	01-0384	01-0414	01-0433	01-0453	01-0473	01-0492	01-0502	01-0522	01-0542
42 cm			01-0349	01-0366	01-0385	01-0415	01-0434	01-0454	01-0474	01-0493	01-0503	01-0523	01-0543
44 cm			01-0350	01-0367	01-0386	01-0416	01-0435	01-0455	01-0475	01-0494	01-0504	01-0524	01-0544
46 cm			01-0351	01-0368	01-0387	01-0417	01-0436	01-0456	01-0476	01-0495	01-0505	01-0525	01-0545
48 cm			01-0352	01-0369	01-0388	01-0418	01-0437	01-0457	01-0477	01-0496	01-0506	01-0526	01-0546
50 cm			01-0353	01-0370	01-0389	01-0419	01-0438	01-0458	01-0478	01-0497	01-0507	01-0527	01-0547
52 cm				01-0371	01-0390	01-0420	01-0439	01-0459	01-0479	01-0498	01-0508	01-0528	01-0548

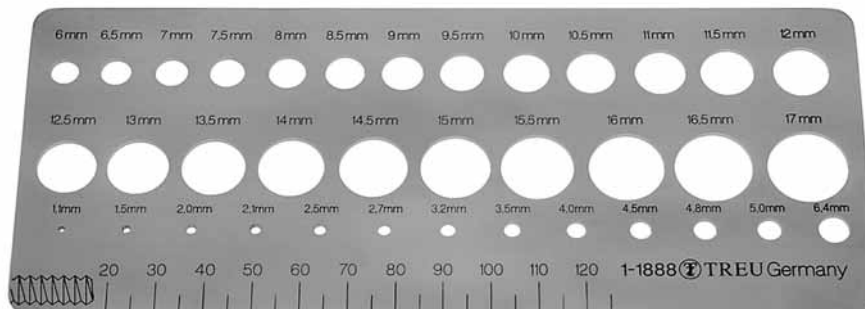


TREU = INSTRUMENTE

Küntscher Nails for Humerus and Tibia



Length	6 mm	7 mm	8 mm	9 mm	10 mm	11 mm	12 mm	13 mm	14 mm
18 cm	01-0560	01-0580	01-0610	01-0640	01-0670	01-0700	01-0730	01-0760	
19 cm	01-0561	01-0581	01-0611	01-0641	01-0671	01-0701	01-0731	01-0761	
20 cm	01-0562	01-0582	01-0612	01-0642	01-0672	01-0702	01-0732	01-0762	
21 cm	01-0563	01-0583	01-0613	01-0643	01-0673	01-0703	01-0733	01-0763	
22 cm	01-0564	01-0584	01-0614	01-0644	01-0674	01-0704	01-0734	01-0764	
23 cm	01-0565	01-0585	01-0615	01-0645	01-0675	01-0705	01-0735	01-0765	
24 cm	01-0566	01-0586	01-0616	01-0646	01-0676	01-0706	01-0736	01-0766	
25 cm	01-0567	01-0587	01-0617	01-0647	01-0677	01-0707	01-0737	01-0767	
26 cm	01-0568	01-0588	01-0618	01-0648	01-0678	01-0708	01-0738	01-0768	
27 cm	01-0569	01-0589	01-0619	01-0649	01-0679	01-0709	01-0739	01-0769	
28 cm	01-0570	01-0590	01-0620	01-0650	01-0680	01-0710	01-0740	01-0770	
29 cm	01-0571	01-0591	01-0621	01-0651	01-0681	01-0711	01-0741	01-0771	
30 cm	01-0572	01-0592	01-0622	01-0652	01-0682	01-0712	01-0742	01-0772	01-0790
31 cm		01-0593	01-0623	01-0653	01-0683	01-0713	01-0743	01-0773	01-0791
32 cm		01-0594	01-0624	01-0654	01-0684	01-0714	01-0744	01-0774	01-0792
33 cm		01-0595	01-0625	01-0655	01-0685	01-0715	01-0745	01-0775	01-0793
34 cm		01-0596	01-0626	01-0656	01-0686	01-0716	01-0746	01-0776	01-0794
35 cm		01-0597	01-0627	01-0657	01-0687	01-0717	01-0747	01-0777	01-0795
36 cm		01-0598	01-0628	01-0658	01-0688	01-0718	01-0748	01-0778	01-0796
37 cm		01-0599	01-0629	01-0659	01-0689	01-0719	01-0749	01-0779	01-0797
38 cm		01-0600	01-0630	01-0660	01-0690	01-0720	01-0750	01-0780	01-0798
39 cm		01-0601	01-0631	01-0661	01-0691	01-0721	01-0751	01-0781	01-0799
40 cm		01-0602	01-0632	01-0662	01-0692	01-0722	01-0752	01-0782	01-0800



1-1888

Measuring Gauge for Nails



TREU = INSTRUMENTE

Instruments for Intramedullary Nailing



Flexible Medullary Reamer (Hudson Drive Connection)

∅	6,0 mm	6,5 mm	7,0 mm	7,5 mm	8,0 mm	8,5 mm	9,0 mm	9,5 mm	
	1-0950	1-0952	1-0954	1-0956	1-0958	1-0960	1-0962	1-0964	
∅	10,0 mm	10,5 mm	11,0 mm	11,5 mm	12,0 mm	12,5 mm	13,0 mm	13,5 mm	14,0 mm
	1-0966	1-0968	1-0970	1-0972	1-0974	1-0976	1-0978	1-0980	1-0982
∅	14,5 mm	15,0 mm	15,5 mm	16,0 mm	16,5 mm	17,0 mm	17,5 mm	18,0 mm	
	1-0984	1-0986	1-0988	1-0990	1-0992	1-0994	1-0996	1-0998	

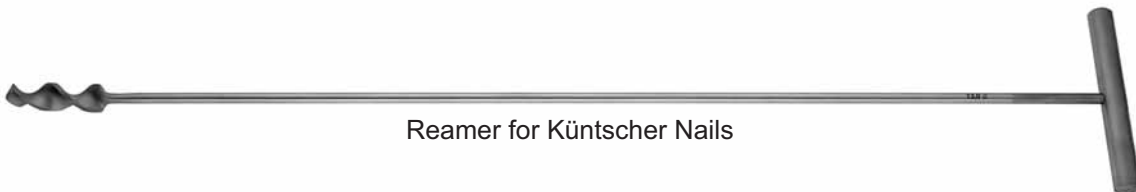


Flexible Medullary Reamer (Aesculap Drive Connection DIN 58809)

∅	5,5 mm	6,0 mm	6,5 mm	7,0 mm	7,5 mm	8,0 mm	8,5 mm	9,0 mm	9,5 mm
	1-1000	1-1002	1-1004	1-1006	1-1008	1-1010	1-1012	1-1014	1-1016
∅	10,0 mm	10,5 mm	11,0 mm	11,5 mm	12,0 mm	12,5 mm	13,0 mm	13,5 mm	14,0 mm
	1-1018	1-1020	1-1022	1-1024	1-1026	1-1028	1-1030	1-1032	1-1034
∅	14,5 mm	15,0 mm	15,5 mm	16,0 mm	16,5 mm	17,0 mm	17,5 mm	18,0 mm	
	1-1036	1-1038	1-1040	1-1042	1-1044	1-1046	1-1048	1-1050	

1-1874 Guide Rod for Reamer, ∅ 2,0 mm, Length 900 mm with ∅ 3,0 mm Spade Tip
use for flexible Reamer ∅ 6,0 - 7,5 mm

1-1879 Guide Rod for Reamer, ∅ 3,0 mm, Length 900 mm with ∅ 4,0 mm Spade Tip
use for flexible Reamer ∅ 8,0 - 18,0 mm



Reamer for Küntscher Nails

∅	6,0 mm	7,0 mm	8,0 mm	9,0 mm	10,0 mm	11,0 mm	12,0 mm	13,0 mm	14,0 mm
	1-1054	1-1056	1-1058	1-1060	1-1062	1-1064	1-1066	1-1068	1-1070
∅	15,0 mm	16,0 mm	17,0 mm	18,0 mm	19,0 mm	20,0 mm			
	1-1072	1-1074	1-1076	1-1078	1-1080	1-1082			

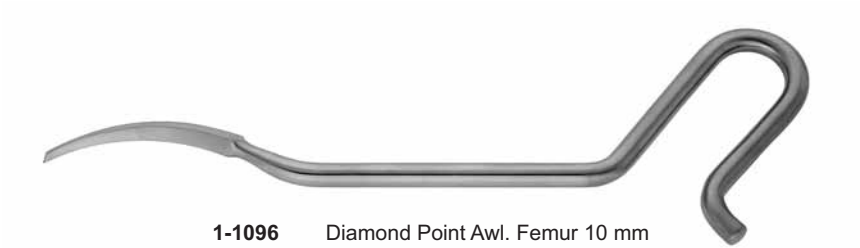
Guide Pin for Küntscher Nails

1-1086	Guide Pin	3.0 mm ∅	60 cm long
1-1088	Guide Pin	3.5 mm ∅	60 cm long
1-1090	Guide Pin	4.0 mm ∅	60 cm long
1-1092	Guide Pin	5.0 mm ∅	60 cm long

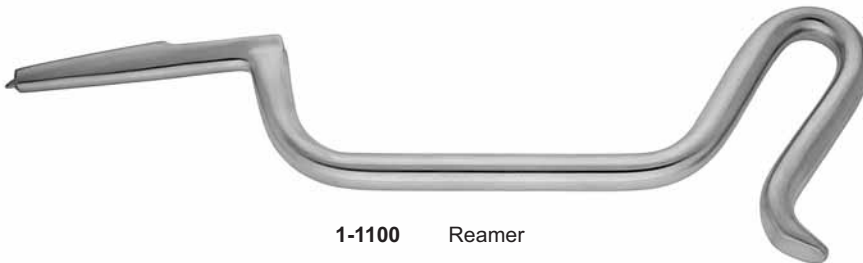


TREU - INSTRUMENTE

Instruments for Intramedullary Nailing



1-1096 Diamond Point Awl. Femur 10 mm
1-1098 Diamond Point Awl. Tibia 8 mm



1-1100 Reamer



1-1102 Slotted Hammer



TREU = INSTRUMENTE

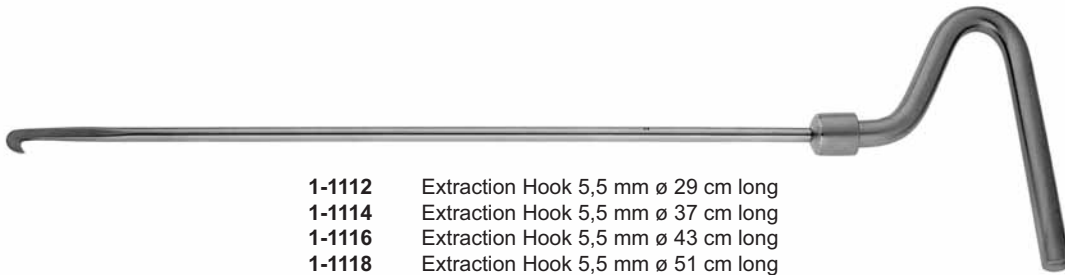
Instruments for Intramedullary Nailing



1-1104 Slotted Nail Driver



- 1-1106** Nail Driver for Nails 6 - 8 \emptyset
- 1-1108** Nail Driver for Nails 9 - 12 \emptyset
- 1-1110** Nail Driver for Nails 13 - 20 \emptyset



- 1-1112** Extraction Hook 5,5 mm \emptyset 29 cm long
- 1-1114** Extraction Hook 5,5 mm \emptyset 37 cm long
- 1-1116** Extraction Hook 5,5 mm \emptyset 43 cm long
- 1-1118** Extraction Hook 5,5 mm \emptyset 51 cm long



1-1121 Small Hook only



1-1122 Large Hook only



1-1120 Nail Extractor with 2 Hooks and Sliding Mallet



TREU = INSTRUMENTE

Round Intramedullary Pins



1-1140	Rush Medullary Pin 6,4 ø complete set	9 Pins with Rack
1-1142	Rush Medullary Pin 4,8 ø complete set	9 Pins with Rack
1-1144	Rush Medullary Pin 3,2 ø complete set	13 Pins with Rack
1-1146	Rush Medullary Pin 2,4 ø complete set	13 Pins with Rack
1-1148	Rush Medullary Pin 2,4 ø complete set	13 Pins with Rack

1-1141	Rack for Rush Medullary Set Pin 6,4 ø
1-1143	Rack for Rush Medullary Set Pin 4,8 ø
1-1145	Rack for Rush Medullary Set Pin 3,2 ø
1-1147	Rack for Rush Medullary Set Pin 2,4 ø



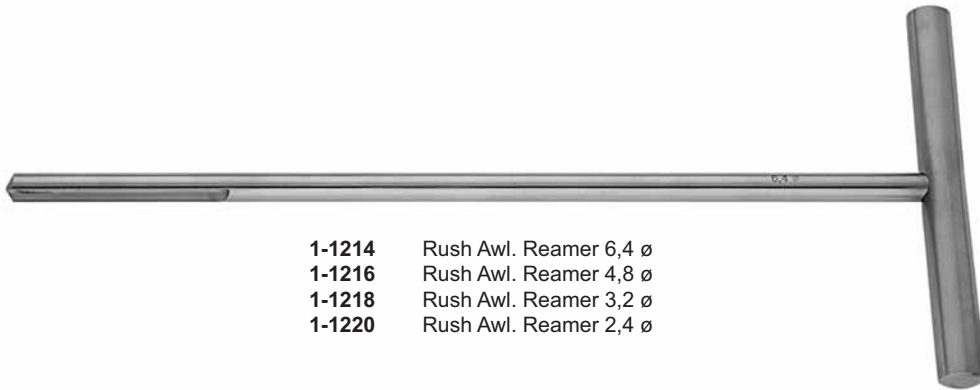
Individual Pins

6,4 ø	280 mm	295 mm	315 mm	335 mm	355 mm	375 mm	395 mm	410 mm	430 mm length
	1-1150	1-1151	1-1152	1-1153	1-1154	1-1155	1-1156	1-1157	1-1158
4,8 ø	205 mm	220 mm	240 mm	255 mm	280 mm	295 mm	315 mm	335 mm	355 mm length
	1-1160	1-1161	1-1162	1-1163	1-1164	1-1165	1-1166	1-1167	1-1168
3,2 ø	100 mm	115 mm	125 mm	140 mm	150 mm	165 mm	180 mm	190 mm	205 mm length
	1-1170	1-1171	1-1172	1-1173	1-1174	1-1175	1-1176	1-1177	1-1178
	215 mm	235 mm	240 mm	255 mm length					
	1-1179	1-1180	1-1181	1-1182					
2,4 ø	25 mm	30 mm	40 mm	45 mm	50 mm	60 mm	65 mm	70 mm	75 mm length
	1-1184	1-1185	1-1186	1-1187	1-1188	1-1189	1-1190	1-1191	1-1192
	85 mm	90 mm	95 mm	100 mm length					
	1-1193	1-1194	1-1195	1-1196					
2,4 ø	100 mm	115 mm	125 mm	140 mm	150 mm	165 mm	180 mm	190 mm	205 mm length
	1-1196	1-1199	1-1200	1-1201	1-1202	1-1203	1-1204	1-1205	1-1206
	215 mm	230 mm	240 mm	255 mm length					
	1-1207	1-1208	1-1209	1-1210					



TREU - INSTRUMENTE

Instruments for Round Intramedullary Pins



- 1-1214 Rush Awl. Reamer 6,4 \varnothing
- 1-1216 Rush Awl. Reamer 4,8 \varnothing
- 1-1218 Rush Awl. Reamer 3,2 \varnothing
- 1-1220 Rush Awl. Reamer 2,4 \varnothing



- 1-1224 Driver and Extractor 6,4 mm \varnothing
- 1-1226 Driver and Extractor 4,8 mm \varnothing
- 1-1228 Driver and Extractor 3,2 mm \varnothing
- 1-1230 Driver and Extractor 2,4 mm \varnothing



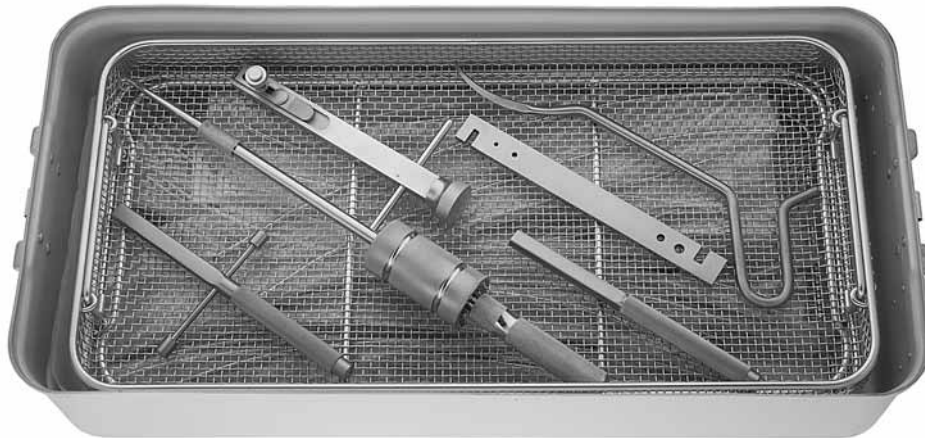
- 1-1234 Bender



TREU = INSTRUMENTE

4.5 mm Flexible Medullary Nails

Complete Set of 4.5 mm ø



T 110 Ender Nail Set

15-1013 Container

15-3012 Tray - upper

15-3012 Tray - lower

1-1250	3 Flexible Medullary Nails 300 mm
1-1251	3 Flexible Medullary Nails 310 mm
1-1252	3 Flexible Medullary Nails 320 mm
1-1253	3 Flexible Medullary Nails 330 mm
1-1254	3 Flexible Medullary Nails 340 mm
1-1255	3 Flexible Medullary Nails 350 mm
1-1256	3 Flexible Medullary Nails 360 mm
1-1257	3 Flexible Medullary Nails 370 mm
1-1258	3 Flexible Medullary Nails 380 mm
1-1259	3 Flexible Medullary Nails 390 mm
1-1260	3 Flexible Medullary Nails 400 mm
1-1261	3 Flexible Medullary Nails 410 mm
1-1262	3 Flexible Medullary Nails 420 mm
1-1263	3 Flexible Medullary Nails 430 mm
1-1264	3 Flexible Medullary Nails 440 mm
1-1265	3 Flexible Medullary Nails 450 mm
1-1266	3 Flexible Medullary Nails 460 mm
1-1267	3 Flexible Medullary Nails 470 mm
1-1268	3 Flexible Medullary Nails 480 mm
1-1269	3 Flexible Medullary Nails 490 mm

1-1272 1 Nail Inserter

1-1274 1 Impactor

1-1234 1 Bender

1-1278 1 Impactor - Extractor

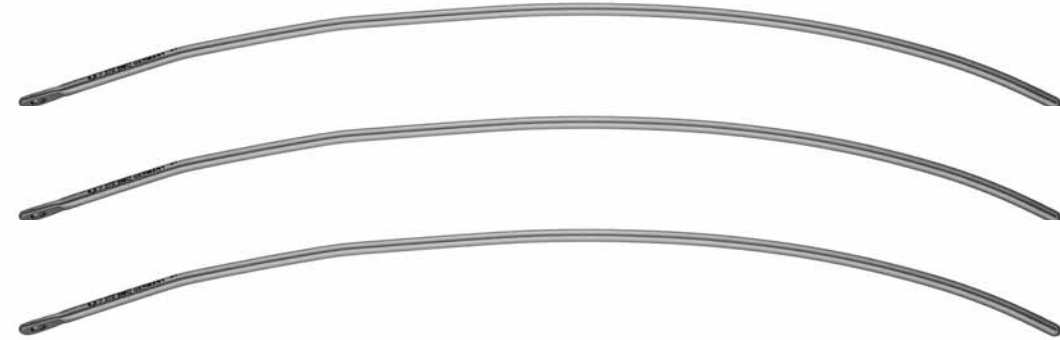
1-1280 1 Extractor

1-1098 1 Awl, Cortical

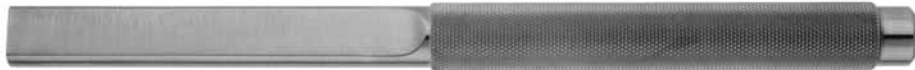


TREU = INSTRUMENTE

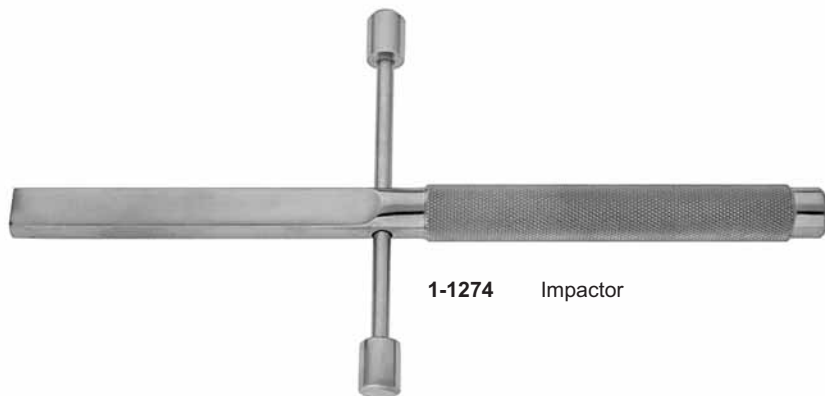
Flexible Medullary Nails



4,5 ø	300 mm 1-1250	310 mm 1-1251	320 mm 1-1252	330 mm 1-1253	340 mm 1-1254	350 mm 1-1255	360 mm 1-1256	370 mm 1-1257	380 mm 1-1258	390 mm 1-1259
	400 mm 1-1260	410 mm 1-1261	420 mm 1-1262	430 mm 1-1263	440 mm 1-1264	450 mm 1-1265	460 mm 1-1266	470 mm 1-1267	480 mm 1-1268	490 mm 1-1269



1-1272 Nail Inserter



1-1274 Impactor



1-1234 Bender



TREU - INSTRUMENTE

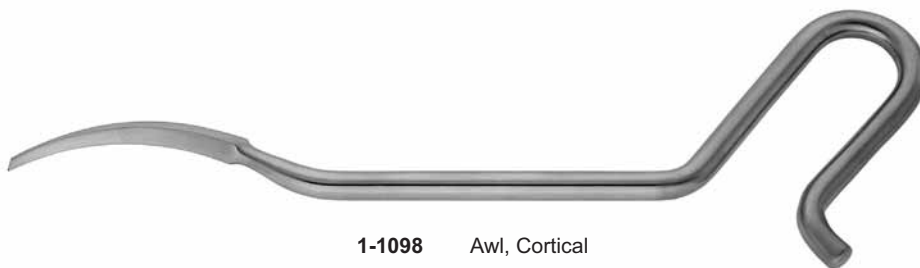
Flexible Medullary Nails



1-1278 Impactor-Extractor



1-1280 Extractor

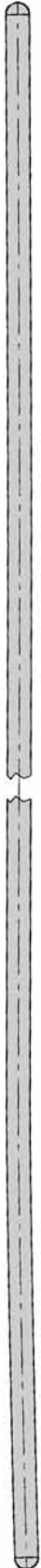


1-1098 Awl, Cortical



TREU = INSTRUMENTE

Wire for filling-up with two round nails



Cat. No.:	Wire \varnothing	Length
1-1390	1.8 mm	350 mm
1-1391	1.8 mm	400 mm
1-1392	2.0 mm	420 mm
1-1393	2.2 mm	420 mm
1-1394	2.5 mm	420 mm



TREU = INSTRUMENTE

Intramedullary Gliding Nails for children Gleitnägel für Kinder



Stainless Steel DIN ISO 5832-1	
1-5250	1.5 x 150 mm
1-5251	1.5 x 400 mm
1-5252	2.0 x 200 mm
1-5253	2.0 x 400 mm
1-5254	2.5 x 250 mm
1-5255	2.5 x 400 mm
1-5256	3.0 x 300 mm
1-5257	3.0 x 400 mm
1-5258	3.5 x 350 mm
1-5259	3.5 x 400 mm

Titanium DIN ISO 5835-3 Titanium 6-4 Vanadium ELI Alloy Forgings		Colour Coding
1-5263	2.0 x 450 mm	Green
1-5264	2.5 x 450 mm	Pink
1-5265	3.0 x 450 mm	Gold
1-5266	3.5 x 450 mm	Blue
1-5267	4.0 x 450 mm	Violet
1-5268	4.5 x 450 mm	Gray
1-5269	5.0 x 450 mm	Silver (natural)

**Protective Caps available according to diameter of nail
Schutzkappen für Nägel passend zum Durchmesser des Nagels**

1-5198	ø 1.5 mm
1-5200	ø 2.0 mm
1-5202	ø 2.5 mm
1-5204	ø 3.0 mm
1-5206	ø 3.5 mm
1-5208	ø 4.0 mm
1-5210	ø 4.5 mm
1-5212	ø 5.0 mm

Principle / Prinzip:

- 2 Gliding Nails produce a 3-point support in an elastic and stable system.
- 2 Gleitnägel bilden eine 3-Punkt-Unterstützung für ein elastisches und stabiles System.



TREU = INSTRUMENTE

Trocar with slotted sleeve for implantation of medullary gliding nails

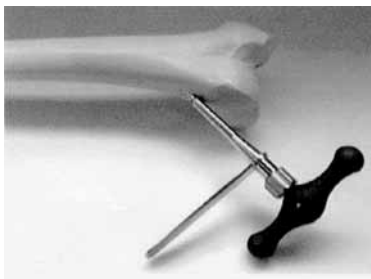
After opening of the medullary canal with trocar, it happens quite often, that the point of entry cannot be found. By using the new trocar, the slotted sleeve remains in situ and avoids unnecessary searching or preparing of soft tissue. Gliding nails with bent tip can easily be introduced through the slot of the sleeve.

Pfriem mit geschlitzter Hülse zur Implantation intramedullärer Schienen

Häufig entsteht nach Eröffnung der Markhöhle mit einem Pfriem das Problem, die Eintrittsstelle wieder zu finden. Bei Verwendung des neuen Pfriems verbleibt die geschlitzte Hülse am vorgebohrten Loch und erspart unnötiges Suchen oder Freipräparieren der Weichteile. Durch die Schlitzung der Gewebeschutzhülse können Schienen mit gebogener Spitze leicht eingeführt werden.

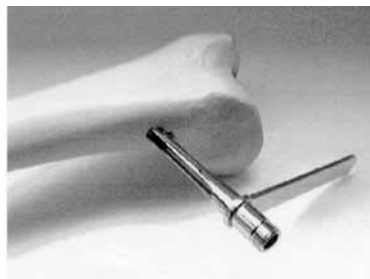


1-5310 Trocar for \varnothing 3,5 - 5,0 mm Nails
1-5312 Trocar for \varnothing 1,5 - 3,5 mm Nails



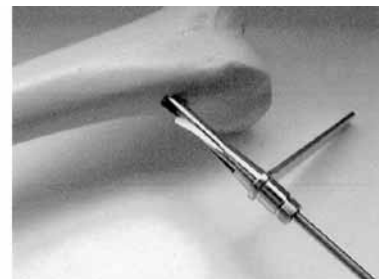
Opening of medullary canal with trocar and sleeve

Eröffnen der Markhöhle mit Pfriem und Hülse



Removal of trocar. Sleeve is held in position

Entfernen des Pfriems - die Hülse wird in der Position gehalten

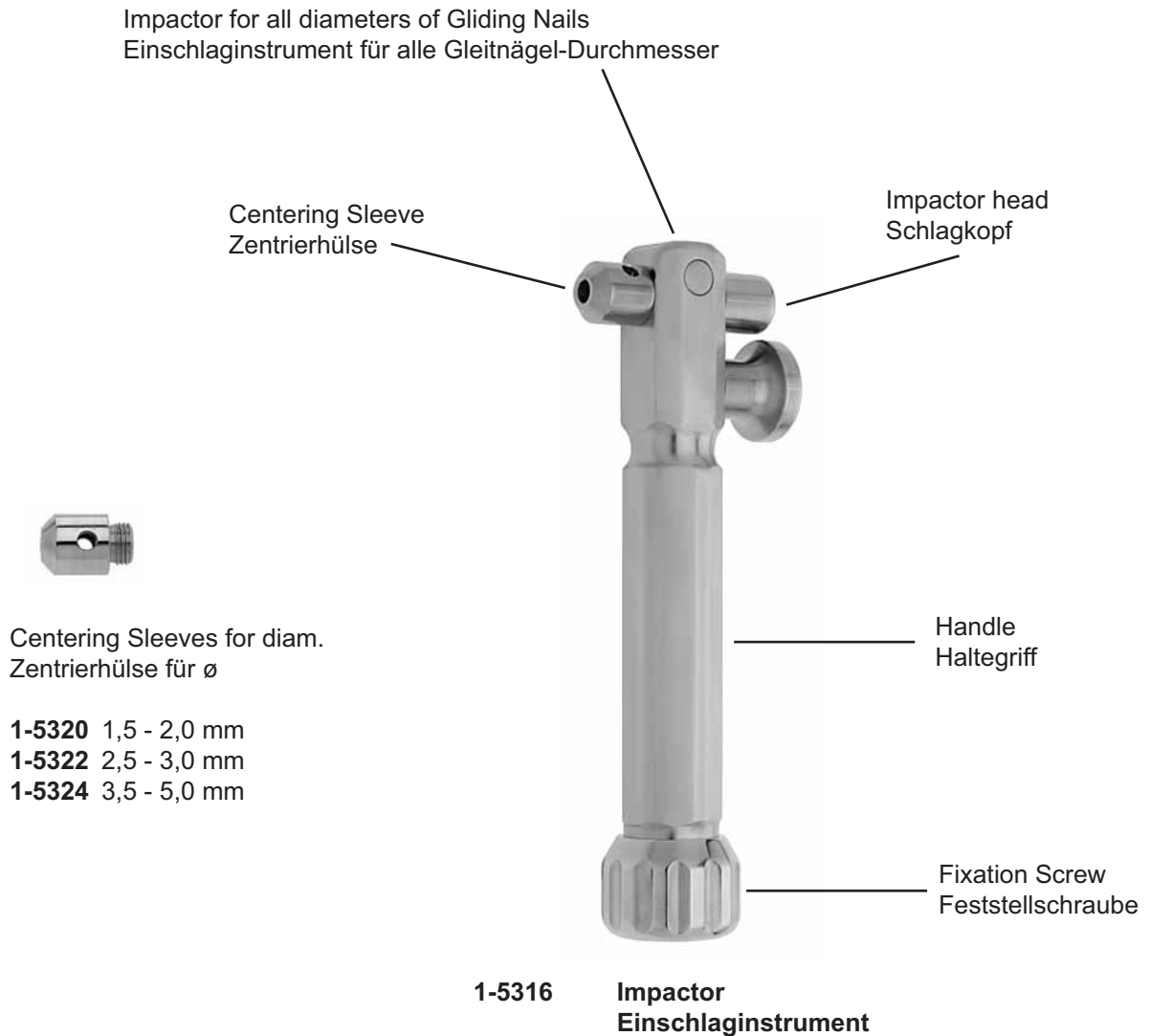


Introduction of nail through slot of sleeve

Einführen der Schiene durch die geschlitzte Hülse



TREU = INSTRUMENTE



The new Impactor for „Intramed Gliding Nails“ serves for quick introduction avoiding tiresome manipulating during fixation of implants. Owing to the lateral handle the danger of injuries to the surgeon in case of slipping-through of nails is practically impossible. A new clamping system serves for fixation of nails in the impactor without applying much power.

Der neue Impactor für Intramed-Schienen ermöglicht das schnelle Einbringen von intramedullären Schienen ohne lästiges Hantieren bei der Fixation der Implantate. Durch den seitlichen Griff wird die Verletzungsgefahr für den Chirurgen, beim Durchrutschen der Schienen ausgeschlossen. Die Schienenfixation im Einschlaginstrument ist durch eine neuartige Verklemmung ohne grossen Kraftaufwand möglich.



TREU - INSTRUMENTE



Pfriem
9-1450 Perthes, 22,0 cm
9-1452 Perthes, 18,0 cm



Pfriem
9-1456 16,0 cm



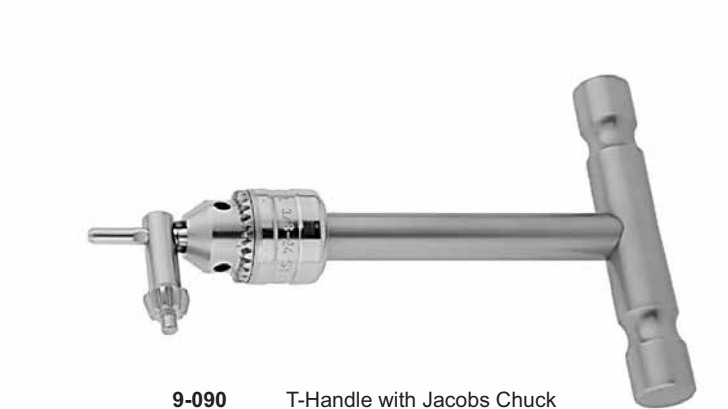
1-5330 Extractions Forceps for Intramedullary
Gliding Nails
Extractionszange 22,0 cm für
Intramed-Schienen



7-388 Extraction Pliers for boring wire 130 mm
7-390 Extraction Pliers for boring wire 180 mm



TREU = INSTRUMENTE



9-090 T-Handle with Jacobs Chuck
T-Griff mit Jakobsfutter



1-5300 Nail Impactor \varnothing 1,5 - 2,5 mm
Einschläger \varnothing 1,5 - 2,5 mm
1-5302 Nail Impactor \varnothing 2,5 - 3,0 mm
Einschläger \varnothing 2,5 - 3,0 mm
1-5304 Nail Impactor \varnothing 3,5 - 5,0 mm
Einschläger \varnothing 3,5 - 5,0 mm



9-702 Bone Hammer / Weight approx: 350 g
Knochenhammer / Gewicht ca 350 gr.



TREU - INSTRUMENTE



7-434 Wire Cutter 220 mm TC
soft wire 3.0 mm
hard wire 2.5 mm

Drahtschneidezange 220 TC
für weichen Draht bis \varnothing 2,5 mm
für harten Draht bis \varnothing 3,0 mm



7-452 260 mm
hard wire 3.5 mm

Kopfschneider
für harten Draht
bis \varnothing 3,5 mm



7-450 575 mm
hard wire 6.0 mm

Bolzenschneider für
harten Draht bis \varnothing 6,0 mm



TREU = INSTRUMENTE

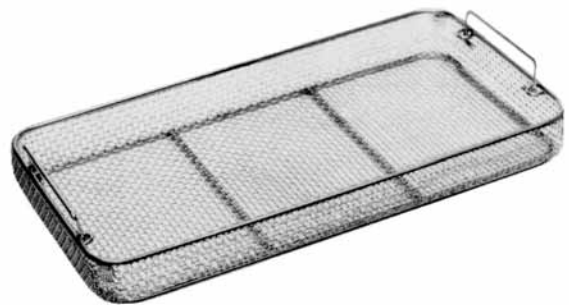
T 120



580 x 280 x 100 mm

Silver
Silber
15-1010

Wire Mesh
Aus Drahtgeflecht



15-3012
540 x 255 x 50 mm

Recommended Instruments

- 15-1010** 1x Sterile-Container
580 x 280 x 100 mm
- 15-3012** 2x Basket for Instruments
540 x 255 x 50 mm
- 1-5310** 1x Trocar for 3,5 - 5,0 mm
- 1-5312** 1x Trocar for 1,5 - 3,0 mm
- 1-5316** 1x Impactor complete
- 1-5300** 1x Impactor for nail 1,5 - 2,0 mm
- 1-5302** 1x Impactor for nail 2,5 - 3,0 mm
- 1-5304** 1x Impactor for nail 3,5 - 5,0 mm
- 9-702** 1x Hammer 350 gr.
- 1-5330** 1x Extraction Forceps 22,0 cm
- 7-434** 1x Wire Cutter for wire ø 2,5 mm
- 7-452** 1x Wire Cutter for wire ø 3,5 mm
- 7-450** 1x Wire Cutter for wire ø 6,0 mm

Empfohlene Instrumente

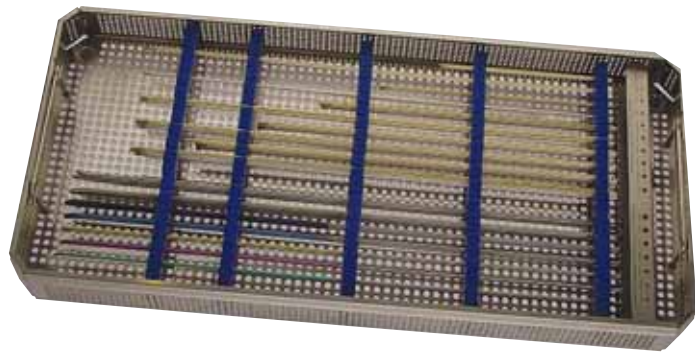
- 15-1010** 1x Steril-Container
580 x 280 x 100 mm
- 15-3012** 2x Drahtkorb für Instrumente
540 x 255 x 50 mm
- 1-5310** 1x Trokar für 3,5 - 5,0 mm
- 1-5312** 1x Trokar für 1,5 - 3,0 mm
- 1-5316** 1x Einschläger komplett
- 1-5300** 1x Einschläger für Nägel 1,5 - 2,0 mm
- 1-5302** 1x Einschläger für Nägel 2,5 - 3,0 mm
- 1-5304** 1x Einschläger für Nägel 3,5 - 5,0 mm
- 9-702** 1x Hammer 350 gr.
- 1-5330** 1x Extraktionszange 22,0 cm
- 7-434** 1x Drahtschneidezange für Draht ø 2,5 mm
- 7-452** 1x Drahtschneidezange für Draht ø 3,5 mm
- 7-450** 1x Drahtschneidezange für Draht ø 6,0 mm



TREU = INSTRUMENTE

Implant Set for Intramedullary Gliding Nails

**Listing: T-5000 Implant Set for Intramedullary Gliding Nails
(Steel and Titanium Gliding Nail Set)**



1-5001 Tray (empty)



**15-1010 Sterilization Container
(recommended)**



Implant Set for Intramedullary Gliding Nails

**Listing: T-5000 Implant Set for Intramedullary Gliding Nails
(Steel and Titanium Gliding Nail Set)**

1-5001 Tray (empty)

Steel Intramedullary Gliding Nail Implants (Stainless Steel DIN ISO 5832-1)

1-5250	Dia. 1,5 mm x Length 150 mm	4 Pcs.
1-5251	Dia. 1,5 mm x Length 400 mm	4 Pcs.
1-5252	Dia. 2,0 mm x Length 200 mm	4 Pcs.
1-5253	Dia. 2,0 mm x Length 400 mm	4 Pcs.
1-5254	Dia. 2,5 mm x Length 250 mm	4 Pcs.
1-5255	Dia. 2,5 mm x Length 400 mm	4 Pcs.
1-5256	Dia. 3,0 mm x Length 300 mm	4 Pcs.
1-5257	Dia. 3,0 mm x Length 400 mm	4 Pcs.
1-5258	Dia. 3,5 mm x Length 350 mm	4 Pcs.
1-5259	Dia. 3,5 mm x Length 400 mm	4 Pcs.

Titanium Intramedullary Gliding Nail Implants (Titanium DIN ISO 5832-3)

1-5263	Dia. 2,0 mm x Length 450 mm Colour Coding Green	4 Pcs.
1-5264	Dia. 2,5 mm x Length 450 mm Colour Coding Pink	4 Pcs.
1-5265	Dia. 3,0 mm x Length 450 mm Colour Coding Gold	4 Pcs.
1-5266	Dia. 3,5 mm x Length 450 mm Colour Coding Blue	4 Pcs.
1-5267	Dia. 4,0 mm x Length 450 mm Colour Coding Violet	4 Pcs.
1-5268	Dia. 4,5 mm x Length 450 mm Colour Coding Gray	4 Pcs.
1-5269	Dia. 5,0 mm x Length 450 mm Colour Coding Silver	4 Pcs.

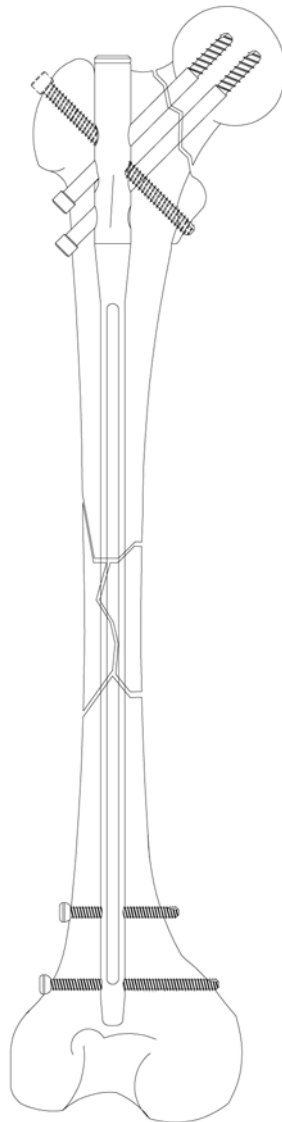


TREU = INSTRUMENTE



TREU - INSTRUMENTE

TREU INTERLOCKING NAIL SYSTEM TREU VERRIEGELUNG SYSTEM





TREU = INSTRUMENTE

TREU - Multi - FEMORAL NAIL

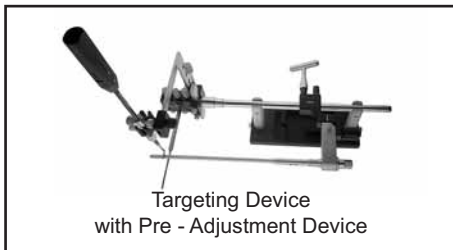
„MFN“ PAT.
 multifunctional femoral nail (D.N.S.)
 for pertrochanteric, intertrochanteric,
 high and low subtrochanteric and femoral shaft fractures



this nail may substitute
 all existing system

ADVANTAGES:

- one nail for left and right Femoral Bone
 distal nail dia. 10 mms and 12 mms
 proximal dia. 15 mms
 nail lengths short nails 240 mms
 nail lengths long nails
 320 - 480 mm
- highly economical, owing to
 multifunctional application and
 reduced stocks in hospitals
- insertion over guide wire, all nails
 are cannulated
- rotation stability, two lag screws
 6,4 mms provide intra- and
 postoperative security
- retrograde and antegrade
 application possible
- anteversion angle 8° is integrated
 in proximal bore holes



We produce also the complete
 traumatology programme

TREU - Multi - Femurnagel

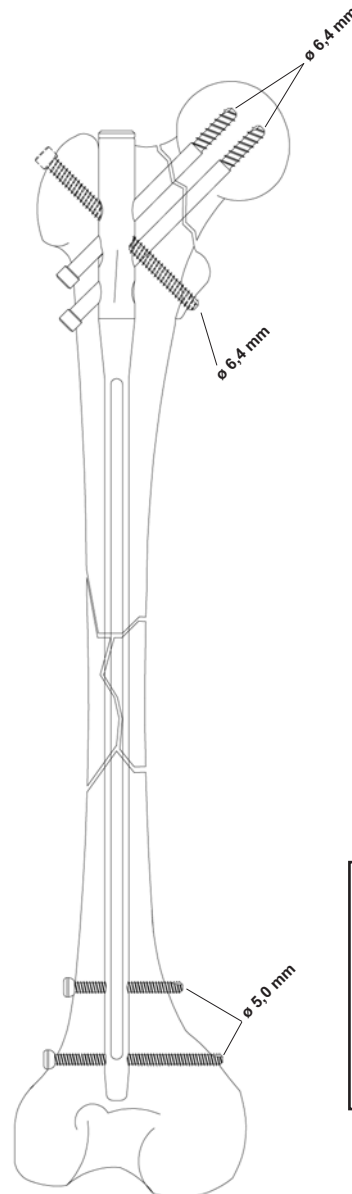
„MFN“ PAT.
 Multifunktionaler Femurnagel für
 Schenkelhals- und Schaftfrakturen



Ersetzt sämtliche auf dem Markt
 befindlichen Systeme durch pa-
 tentierte Lochanordnung

VORTEILE:

- Ein Nagel für linken und rechten
 Femur - Knochen
 ø 10 - 12 mm distal
 ø 15 mm proximaler Schaft
 Längen:
 Kurz: 240 mm
 Lang: 320 - 480 mm
 Dadurch limitierte Lagerhaltung
 und hohe Wirtschaftlichkeit.
- Unaufgebohrtes Einbringen über
 Führungsdraht.
- Alle Nägel durchbohrt.
- Rotationssicher durch zwei
 selbstschneidende Gleitbolzen
- ø dia. 6,4 mm.
- Retrograde und antegrade
 Anwendung möglich
- Anteversionswinkel 8° in den
 Bohrlöchern integriert.



Wir fertigen weiterhin das komplette
 Programm der Traumatologie

**Wir führen gerne WORKSHOPS in Ihrem Hause durch
 Please, ask for our workshops**

Fordern Sie einfach
 unseren kompletten
 Katalog an.



TREU - INSTRUMENTE

TREU - Multi - FEMORAL NAIL

„MFN“ PAT.

multifunctional femoral nail MFN. (DNS.)
for pertrochanteric, intertrochanteric,
high and low subtrochanteric and femoral shaft fractures

TREU - Multi - Femurnagel

„MFN“ PAT.

Multifunktionaler Femurnagel für
Schenkelhals- und Schaftfrakturen

MFN. / DNS. (Double Neck Shaft Fracture) Nail - „ ONE NAIL FOR LEFT AND RIGHT „ - PAT. PENDING
MFN. / DNS. (Nagel für Schenkelhals und Femurfrakturen) - „ Nagel für links und rechts „ - Patentiert



Multifunctional Femoral Nail MFN. (short)
proximal shaft diam. 15,0 mm
Multi - Femurnägel MFN. (kurz),
proximaler Schaftdurchmesser 15,0 mm

Cat. No.	ø mm	Length cm
1-2230	10	24
1-2260	12	24

Multifunctional Femoral Nail MFN. (long)
proximal shaft diam. 15,0 mm
Multi - Femurnägel MFN. (lang),
proximaler Schaftdurchmesser 15,0 mm

Cat. No.	ø mm	Length cm
1-2232	10	32
1-2234	10	34
1-2236	10	36
1-2238	10	38
1-2240	10	40
1-2242	10	42
1-2244	10	44
1-2246	10	46
1-2248	10	48
1-2262	12	32
1-2264	12	34
1-2266	12	36
1-2268	12	38
1-2270	12	40
1-2272	12	42
1-2274	12	44
1-2276	12	46
1-2278	12	48



1-1822

Screw Plug for Femoral Nails
Threaded 3/8" Head ø 15 mm
Verschlusschrauben mit
3/8" Gewinde

Lag Bolts with shaft ø 6.4 mm
Cannulated proximal / retrograde
Schenkelhals V - Bolzen ø 6,4mm
kannuliert proximal / retrograd



Cat. No.	Length mm
1-3108	65
1-3109	70
1-3110	75
1-3111	80
1-3112	85
1-3113	90
1-3114	95
1-3115	100
1-3116	105
1-3117	110
1-3118	115
1-3119	120
1-3120	125

Locking Bolts ø 6.4 mm
for proximal antegrade holes
Verriegelungsbolzen ø 6,4 mm
für proximale antegrade Bohrlöcher



Cat. No.	Length mm
1-1507	30
1-1508	35
1-1510	40
1-1512	45
1-1514	50
1-1516	55
1-1518	60
1-1520	65
1-1522	70
1-1524	75
1-1526	80
1-1528	85
1-1530	90



TREU = INSTRUMENTE

MFN. / DNS. (Double Neck Shaft Fracture) Nail - „ ONE NAIL FOR LEFT AND RIGHT „ - PAT. PENDING

MFN. / DNS. (Nagel für Schenkelhals und Femurfrakturen) - „ Nagel für Links und Rechts „ - Patentiert

**U/R MFN. / DNS. Femoral Interlocking Nails
(Reaming of bone not required) ø 13 mm**

U/R MFN. / DNS. Fem. V - Nägel

(Bez.: U/R ohne Markraumbohren) ø 13 mm

for ø 5,0 mm Lag Screws prox.
für ø 5,0 mm Schenkelhals V - Schrauben prox.



for ø 5,0 mm Locking Screws distal
für ø 5,0 mm Verriegelungsschrauben distal

Cat. No.	ø mm	Length cm
1-2060	8	24
1-2062	8	26
1-2064	8	28
1-2066	8	30
1-2068	8	32
1-2070	8	34
1-2072	8	36
1-2074	8	38
1-2080	9	24
1-2082	9	26
1-2084	9	28
1-2086	9	30
1-2088	9	32
1-2090	9	34
1-2092	9	36
1-2094	9	38
1-2096	9	40
1-2098	9	42
1-2100	9	44
1-2110	10	32
1-2112	10	34
1-2114	10	36
1-2116	10	38
1-2118	10	40
1-2120	10	42
1-2122	10	44
1-2124	10	46
1-2126	10	48
1-2130	11	32
1-2132	11	34
1-2134	11	36
1-2136	11	38
1-2138	11	40
1-2140	11	42
1-2142	11	44
1-2144	11	46
1-2146	11	48



1-1820

**Screw Plug for Femoral Nails
Threaded 3/8" Head ø 13 mm
Verschlußschrauben mit
3/8" Gewinde**

Lag Screws ø 5.0 mm

Schenkelhals V - Schrauben ø 5,0 mm



Cat. No.	Length mm
1-3008	65
1-3009	70
1-3010	75
1-3011	80
1-3012	85
1-3013	90
1-3014	95
1-3015	100
1-3016	105
1-3017	110
1-3018	115
1-3019	120
1-3020	125

**Locking Screws ø 5.0 mm
for distal holes**

**Verriegelungsschrauben ø 5,0 mm
für distale Bohrlöcher**



Cat. No.	Length mm
1-1781	25
1-1782	30
1-1783	35
1-1784	40
1-1785	45
1-1786	50
1-1787	55
1-1788	60
1-1789	65
1-1790	70
1-1791	75
1-1792	80
1-1793	85
1-1794	90



TREU = INSTRUMENTE

Product Discription for Condylar Femoral Nail System Produktbeschreibung für Kondylennägel Femur System

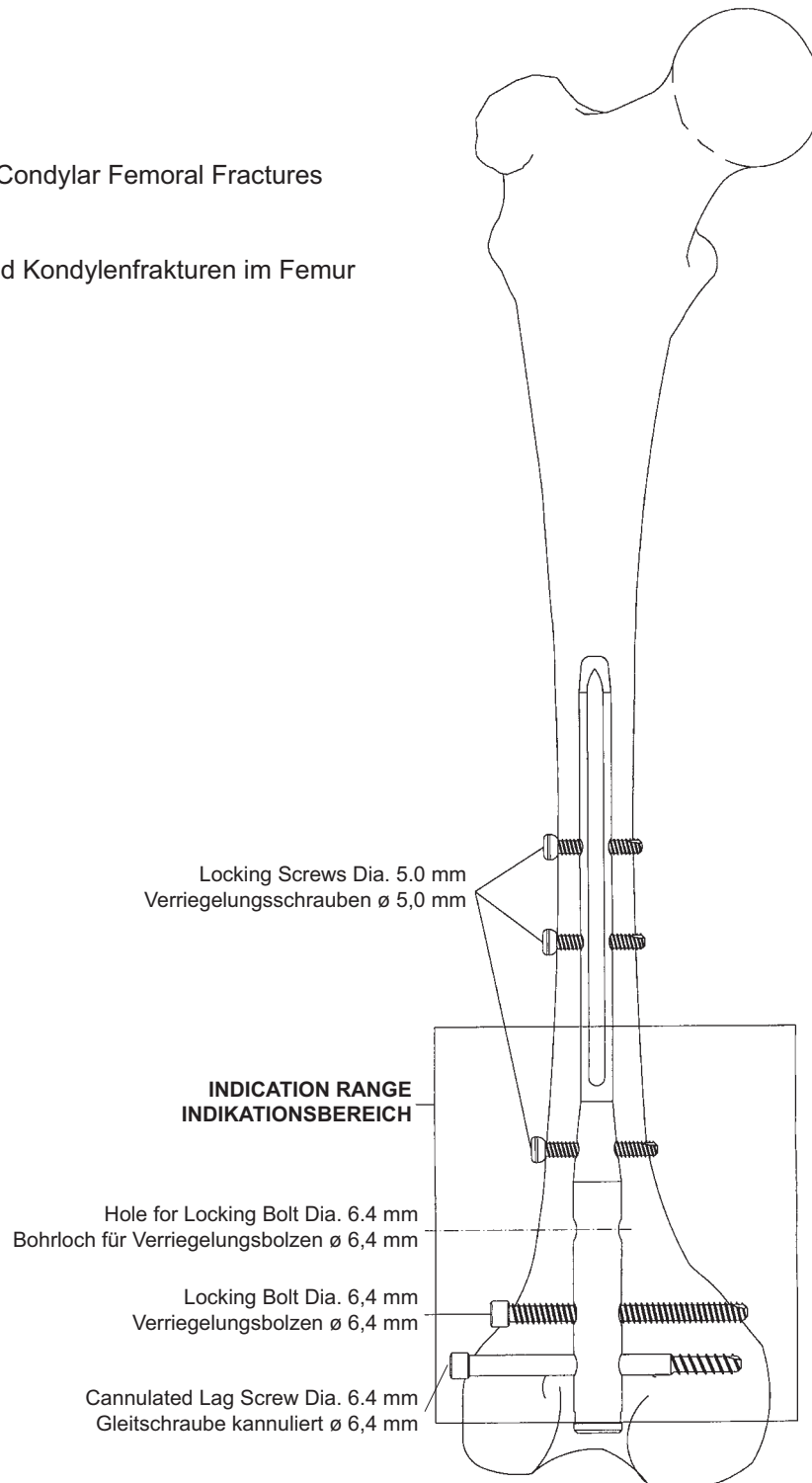
Treu Condylar Femoral Nails Treu Kondylennägel für Femur

INDICATION:

Distal Shaft- and Condylar Femoral Fractures

INDIKATION:

Distale Schaft- und Kondylenfrakturen im Femur





TREU - INSTRUMENTE

Condylar Nail System Kondylennagel System

Condylar Femoral Nails Kondylennägel für Femur

Cat. No.	ø mm	Length cm
1-2280	10	24
1-2281	11	24
1-2282	12	24

Lag Bolts with shaft ø 6.4 mm Cannulated proximal / retrograde Schenkelhals V - Bolzen ø 6,4mm kannuliert proximal / retrograd

Cat. No.	Length mm
1-3108	65
1-3109	70
1-3110	75
1-3111	80
1-3112	85
1-3113	90
1-3114	95
1-3115	100
1-3116	105
1-3117	110
1-3118	115
1-3119	120
1-3120	125

Locking Bolts ø 6.4 mm for proximal and distal holes Verriegelungsbolzen ø 6,4 mm für proximale und distale Bohrlöcher

Cat. No.	Length mm
1-1507	30
1-1508	35
1-1510	40
1-1512	45
1-1514	50
1-1516	55
1-1518	60
1-1520	65
1-1522	70
1-1524	75
1-1526	80
1-1528	85
1-1530	90

for ø 6.4 mm Lag Bolts prox.
für ø 6,4 mm Schenkelhals V-Bolzen prox.

for ø 6.4 mm Locking Bolts prox.
für ø 6,4 mm Verriegelungsbolzen prox.

for ø 5.0 mm Locking Screws distal
für ø 5,0 mm Verriegelungsschrauben distal

Locking Screws ø 5.0 mm for proximal and distal holes Verriegelungsschrauben ø 5,0 mm für proximale und distale Bohrlöcher

Cat. No.	Length mm
1-1781	25
1-1782	30
1-1783	35
1-1784	40
1-1785	45
1-1786	50
1-1787	55
1-1788	60
1-1789	65
1-1790	70
1-1791	75
1-1792	80
1-1793	85
1-1794	90



TREU = INSTRUMENTE

Instruments for Condylar Nail System
Instrumente für Kondylennägel



1-3334 Proximale-Distal Targeting Device for Condylar Nails
Proximales-distales Zielinstrument für Kondylennägel



1-3332 Nail Adapter Bolt for Drill Guide 1-3333 MFN. / DNS.
Nageladaptionsschraube für Zielgerät 1-3333 MFN. / DNS.

Information:

All the other Instruments are include in the Basic Instrument Set 1-1400 for Condylar Nail System.
Alle sonstig benötigten Instrumente sind im Basissatz 1-1400 für Kondylennägel System enthalten.



TREU = INSTRUMENTE

Treu Standard Femoral Interlocking Nails Treu Standard Femur Verriegelungsnägel



for ø 6.4 mm Locking Bolts prox.
für ø 6,4 mm Verriegelungsbolzen prox.

for ø 6.4 mm Locking Bolts distal
für ø 6,4 mm Verriegelungsbolzen distal

Cat. No.	ø mm	Length cm
1-1410	12	32
1-1412	12	34
1-1414	12	36
1-1416	12	38
1-1418	12	40
1-1420	12	42
1-1422	12	44
1-1424	12	46
1-1426	12	48
1-1428	12	50
1-1436	13	36
1-1438	13	38
1-1440	13	40
1-1442	13	42
1-1444	13	44
1-1446	13	46
1-1448	13	48
1-1450	13	50
1-1456	14	36
1-1458	14	38
1-1460	14	40
1-1462	14	42
1-1464	14	44
1-1466	14	46
1-1468	14	48

Locking Bolts ø 6.4 mm for proximal and distal holes Verriegelungsbolzen ø 6,4 mm für proximale und distale Bohrlöcher



Cat. No.	Length mm
1-1507	30
1-1508	35
1-1510	40
1-1512	45
1-1514	50
1-1516	55
1-1518	60
1-1520	65
1-1522	70
1-1524	75
1-1526	80
1-1528	85
1-1530	90

Screw Plugs threaded 3/8" Verschlußschrauben mit 3/8"



Cat. No.	ø mm
1-1820	13



TREU = INSTRUMENTE

U/R Femoral Interlocking Nails (Reaming of bone not required) U/R Femur Verriegelungsnägel (Bez.: U/R ohne Markraumbohren)

for ø 5.0 mm Locking Screws prox.
für ø 5.0 mm Verriegelungsschrauben prox.



for ø 5.0 mm Locking Screws distal
für ø 5.0 mm Verriegelungsschrauben distal

Cat. No.	ø mm	Length cm
1-1640	8	24
1-1641	8	26
1-1642	8	28
1-1643	8	30
1-1644	8	32
1-1645	8	34
1-1646	8	36
1-1647	8	38
1-1648	9	24
1-1649	9	26
1-1650	9	28
1-1651	9	30
1-1652	9	32
1-1653	9	34
1-1654	9	36
1-1655	9	38
1-1656	9	40
1-1657	9	42
1-1658	9	44
1-1660	9	46
1-1670	10	24
1-1672	10	26
1-1674	10	28
1-1676	10	30
1-1678	10	32
1-1680	10	34
1-1682	10	36
1-1686	10	38
1-1688	10	40
1-1690	10	42
1-1692	10	44
1-1694	10	46
1-1696	10	48
1-1700	11	32
1-1702	11	34
1-1704	11	36
1-1706	11	38
1-1708	11	40
1-1710	11	42
1-1712	11	44
1-1714	11	46
1-1716	11	48

Locking Screws ø 5.0 mm for proximal and distal holes Verriegelungsschrauben ø 5,0 mm für proximale und distale Bohrlöcher



Cat. No.	Length mm
1-1781	25
1-1782	30
1-1783	35
1-1784	40
1-1785	45
1-1786	50
1-1787	55
1-1788	60
1-1789	65
1-1790	70
1-1791	75
1-1792	80
1-1793	85
1-1794	90

Screw Plugs Threaded 3/8" Verschlußschrauben mit 3/8"



Cat. No.	ø mm
1-1820	13



TREU = INSTRUMENTE

U/R Tibial Interlocking Nails (Reaming of bone not required) U/R Tibia Verriegelungsnägel (Bez.: U/R ohne Markraumböhrnen)

for ø 4.5 mm Locking Screws prox.
für ø 4,5 mm Verriegelungsschrauben prox.



for ø 4.5 mm Locking Screws distal
für ø 4,5 mm Verriegelungsschrauben distal

Cat. No.	ø mm	Length cm
1-1722	8	27.0
1-1724	8	28.5
1-1726	8	30.0
1-1728	8	31.5
1-1729	8	33.0
1-1730	8	34.5
1-1732	8	36.0
1-1734	8	38.0
1-1736	8	40.0
1-1738	8	42.0
1-1740	9	27.0
1-1742	9	28.5
1-1744	9	30.0
1-1746	9	31.5
1-1748	9	33.0
1-1750	9	34.5
1-1752	9	36.0
1-1754	9	38.0
1-1756	9	40.0
1-1758	9	42.0
1-1759	9	44.0
1-1760	10	27.0
1-1762	10	28.5
1-1764	10	30.0
1-1766	10	31.5
1-1768	10	33.0
1-1770	10	34.5
1-1772	10	36.0
1-1774	10	38.0
1-1776	10	40.0
1-1778	10	42.0
1-1780	10	44.0

Locking Screws ø 4.5 mm for proximal and distal holes Verriegelungsschrauben ø 4,5 mm für proximale und distale Bohrlöcher



Cat. No.	Length mm
1-1800	20
1-1802	25
1-1804	30
1-1806	35
1-1808	40
1-1810	45
1-1812	50
1-1814	55
1-1816	60
1-1818	65

Screw Plugs threaded 5/16" Verschlußschrauben 5/16" Gewinde



Cat. No.	ø mm
1-1826	12



TREU = INSTRUMENTE

Treu Tibial Interlocking Nails Treu Tibia Verriegelungsnägel

for ø 5.0 mm Locking Screws prox.
für ø 5,0 mm Verriegelungsschrauben prox.



for ø 5.0 mm Locking Screws distal
für ø 5,0 mm Verriegelungsschrauben distal

Cat. No.	ø mm	Length cm
1-1550	11	28.5
1-1552	11	30.0
1-1554	11	31.5
1-1556	11	33.0
1-1558	11	34.5
1-1560	11	36.0
1-1562	11	38.0
1-1564	11	40.0
1-1566	11	42.0
1-1570	12	28.5
1-1572	12	30.0
1-1574	12	31.5
1-1576	12	33.0
1-1578	12	34.5
1-1580	12	36.0
1-1582	12	38.0
1-1584	12	40.0
1-1586	12	42.0
1-1588	13	28.5
1-1590	13	30.0
1-1592	13	31.5
1-1594	13	33.0
1-1596	13	34.5
1-1598	13	36.0
1-1600	13	38.0
1-1602	14	30.0
1-1604	14	31.5
1-1606	14	33.0
1-1608	14	34.5
1-1610	14	36.0
1-1612	14	38.0

Locking Screws ø 5.0 mm for proximal and distal holes Verriegelungsschrauben ø 5,0 mm für proximale und distale Bohrlöcher



Cat. No.	Length mm
1-1781	25
1-1782	30
1-1783	35
1-1784	40
1-1785	45
1-1786	50
1-1787	55
1-1788	60
1-1789	65
1-1790	70
1-1791	75
1-1792	80
1-1793	85
1-1794	90

Screw Plugs threaded 5/16" Verschlußschrauben 5/16" Gewinde



Cat. No.	ø mm
1-1826	12



TREU = INSTRUMENTE

Special Screws for Distal Holes Spezielle Schrauben für distale Bohrlöcher

Locking Bolts \varnothing 6.4 mm
Cannulated for \varnothing 1.8 mm wire
Verriegelungsbolzen \varnothing 6,4 mm
kannuliert für \varnothing 1,8 mm Bohrdraht



Cat. No.	Length mm
1-1532	30
1-1534	35
1-1536	40
1-1538	45
1-1540	50
1-1542	55
1-1544	60
1-1546	65

For Standard Femoral Nails (distal holes)
Für Standard Femur Nägel (distale Bohrlöcher)

Locking Screws 5.0 mm
Cannulated for \varnothing 1.8 mm wire
Verriegelungsschrauben \varnothing 5,0 mm
kannuliert für \varnothing 1,8 mm Bohrdraht



Cat. No.	Length mm
1-1620	25
1-1622	30
1-1624	35
1-1626	40
1-1628	45
1-1630	50
1-1632	55
1-1634	60
1-1636	65

For U/R Femoral Nails
For U/R MFN. / DNS. Femoral Nails
For Tibial Standard Nails
Für U/R Femur Nägel
Für U/R MFN. / DNS. Femur Nägel
Für Tibia Standard Nägel



TREU = INSTRUMENTE



15-1515 Container
Siebschale

1-1840 Screw Box (empty)
to include in 1-1840:
Fem. Locking Bolts \varnothing 6,4 mm, proximal from Cat. No.:
1-1507 to 1-1530
(4 pieces from each length)

Distal Fem. Locking Bolts \varnothing 6,4 mm cannulated from
Cat. No.: 1-1532 to 1-1546
(4 pieces from each length)

D.N.S. Standard \varnothing 6,4 mm Lag Screws cannulated for
proximal holes from Cat. No.: 1-3108 to 1-3120
(4 pieces from each length)

U/R D.N.S. \varnothing 5,0 mm Lag - Screws for proximal holes
from Cat. No.: 1-3008 to 1-3020
(4 pieces from each length)

DNS. / Fem. Threaded Screw Plugs 3/8"
Cat. No.: 1-1820 \varnothing 13 mm (4 pieces)
Cat. No.: 1-1821 \varnothing 14 mm (3 pieces)
Cat. No.: 1-1822 \varnothing 15 mm (3 pieces)
Cat. No.: 1-1823 \varnothing 16 mm (3 pieces)



1-1840 Schrauben Box (Ungefüllt)
Folgende Artikel zur Integration in 1-1840:
Fem. Verriegelungsbolzen \varnothing 6,4 mm, proximal von Art. Nr.:
1-1507 bis 1-1530
(4 Stück pro Länge können integriert werden)

Distal Fem. Verriegelungsbolzen \varnothing 6,4 mm kannuliert von
Art. Nr.: 1-1532 bis 1-1546
(4 Stück pro Länge können integriert werden)

D.N.S. Standard Schenkelhalsschrauben \varnothing 6,4 mm kannuliert
für proximale Nagelbohrungen von Art. Nr.: 1-3108 bis 1-3120
(4 Stück pro Länge können integriert werden)

U/R D.N.S. Schenkelhalsschraube \varnothing 5,0 mm kannuliert
für proximale Nagelbohrungen von Art. Nr.: 1-3008 bis 1-3020
(4 Stück pro Länge können integriert werden)

Nagelverschlußschrauben mit 3/8" Gewinde für D.N.S. / Femur Nägel
Art. Nr.: 1-1820 \varnothing 13 mm (4 Stück)
Art. Nr.: 1-1821 \varnothing 14 mm (3 Stück)
Art. Nr.: 1-1822 \varnothing 15 mm (3 Stück)
Art. Nr.: 1-1823 \varnothing 16 mm (3 Stück)



TREU = INSTRUMENTE



15-1515 Container
Siebschale

1-1841 Screw Box (empty)
to include in 1-1841:

U/R Fem. Locking Screws for Tibial Standard \varnothing 5,0 mm,
proximal from Cat. No.: 1-1781 to 1-1794
(4 pieces from each length)

U/R Fem. Locking Screws for Tibial Standard \varnothing 5,0 mm,
Cannulated for Distal Holes from
Cat. No.: 1-1620 to 1-1636
(4 pieces from each length)

U/R Tibial Locking Screws, \varnothing 4,5 mm for proximal and
distal holes from Cat. No.: 1-1800 to 1-1820
(4 pieces from each length)

Humeral Locking Screws, \varnothing 4,0 mm, proximal and distal
from Cat. No.: 1-2300 to 1-2334
(4 pieces from each length)

U/R Fem. / U/R DNS. Threaded Screw Plugs 3/8"
Cat. No.: 1-1820 \varnothing 13 mm (3 pieces)

Tibial Threaded Screw Plugs 5/16"
Cat. No.: 1-1826 \varnothing 12 mm (3 pieces)
Cat. No.: 1-1827 \varnothing 13 mm (3 pieces)
Cat. No.: 1-1828 \varnothing 14 mm (3 pieces)

Humeral Threaded Screw Plugs 1/4"
Cat. No.: 1-2025 \varnothing 9 mm (3 pieces)



1-1841 Schrauben Box (ungefüllt)
Folgende Artikel zur Integration in 1-1841:

U/R Fem. Verriegelungsbolzen / Tibia Standard \varnothing 5,0 mm
proximal, von Art. Nr.: 1-1781 bis 1-1794
(4 Stück pro Länge können integriert werden)

U/R Fem. Verriegelungsschrauben / Tibia Standard \varnothing 5,0 mm
kannuliert für distale Nagelbohrungen, von
Art. Nr.: 1-1620 bis 1-1636
(4 Stück pro Länge können integriert werden)

U/R Tibia Verriegelungsschrauben \varnothing 4,5 mm für proximale und
distale Nagelbohrungen, von Art. Nr.: 1-1800 to 1-1820
(4 Stück pro Länge können integriert werden)

Humerus Verriegelungsschrauben \varnothing 4,0 mm für proximale und
distale Nagelbohrungen, von Art. Nr.: 1-2300 to 1-2334
(4 Stück pro Länge können integriert werden)

Nagelverschlußschraube mit 3/8" Gewinde, für U/R Fem. und U/R D.N.S. Nägel:
Art Nr.: 1-1820 \varnothing 13 mm (3 Stück)

Nagelverschlußschrauben mit 5/16" Gewinde, für U/R Tibia und Tibia Standard Nägel:
Art Nr.: 1-1826 \varnothing 12 mm (3 Stück)
Art Nr.: 1-1827 \varnothing 13 mm (3 Stück)
Art Nr.: 1-1828 \varnothing 14 mm (3 Stück)

Nagelverschlußschraube mit 1/4" Gewinde, für Humerus Nägel:
Art. Nr.: 1-2025 \varnothing 9 mm (3 Stück)



TREU = INSTRUMENTE



15-1013 Container
Sterilbehälter

1-1928 Flexible Reamer Set Trays (2 pieces), empty
Siebschalen für flexible Markraumbohrer (nicht gefüllt)



1-1927 Complete Flexible Medullary Reamer Set
Flexibler Markraumbohrer Satz, komplett

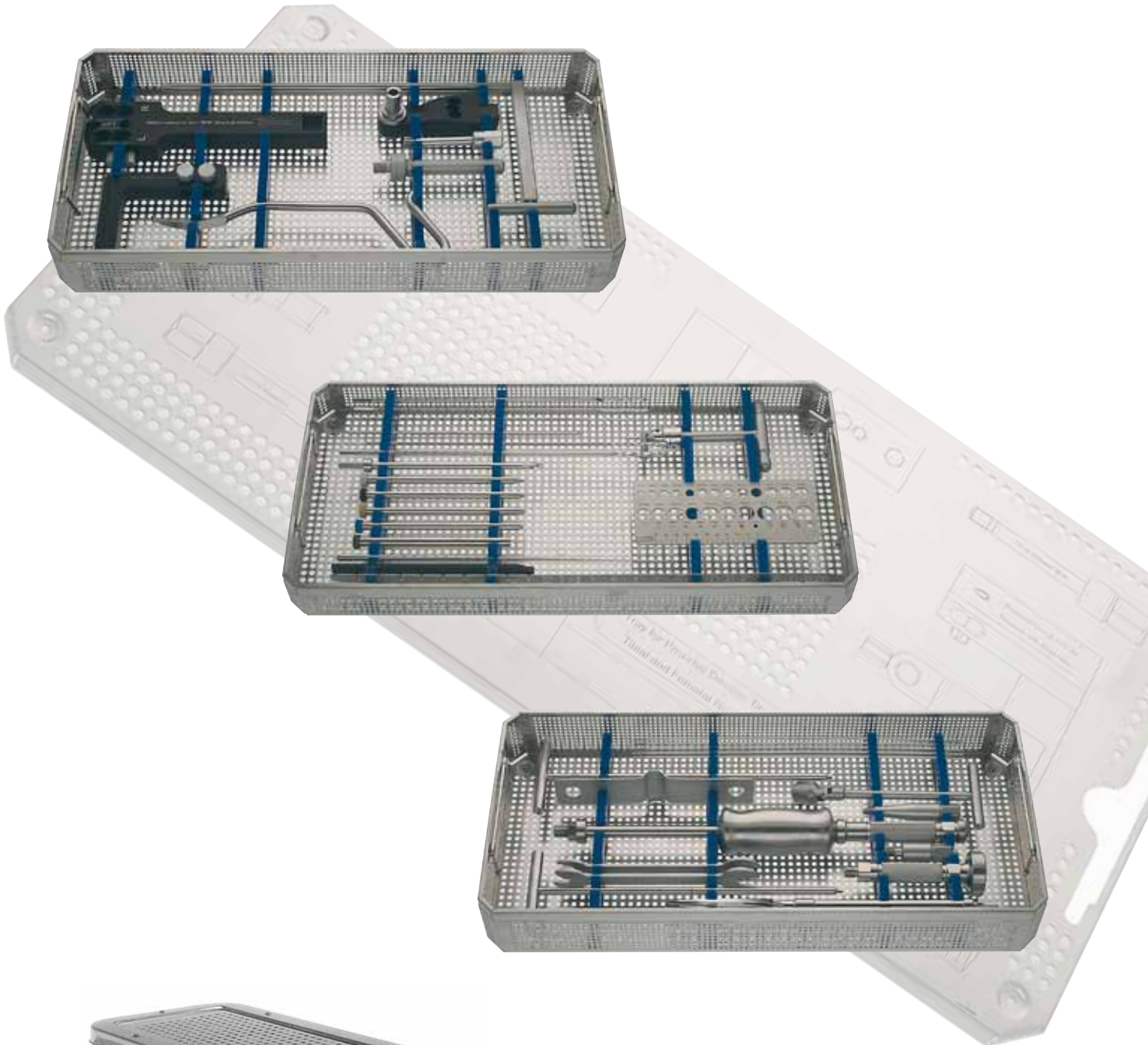
Cat. No.:	Description	Diameter	Art. Nr.:	Beschreibung	Durchmesser
1-1002	Flexible Medullary Reamer	6,0 mm	1-1002	Flexibler Markraumbohrer	6,0 mm
1-1004	Flexible Medullary Reamer	6,5 mm	1-1004	Flexibler Markraumbohrer	6,5 mm
1-1006	Flexible Medullary Reamer	7,0 mm	1-1006	Flexibler Markraumbohrer	7,0 mm
1-1008	Flexible Medullary Reamer	7,5 mm	1-1008	Flexibler Markraumbohrer	7,5 mm
1-1010	Flexible Medullary Reamer	8,0 mm	1-1010	Flexibler Markraumbohrer	8,0 mm
1-1012	Flexible Medullary Reamer	8,5 mm	1-1012	Flexibler Markraumbohrer	8,5 mm
1-1014	Flexible Medullary Reamer	9,0 mm	1-1014	Flexibler Markraumbohrer	9,0 mm
1-1016	Flexible Medullary Reamer	9,5 mm	1-1016	Flexibler Markraumbohrer	9,5 mm
1-1018	Flexible Medullary Reamer	10,0 mm	1-1018	Flexibler Markraumbohrer	10,0 mm
1-1020	Flexible Medullary Reamer	10,5 mm	1-1020	Flexibler Markraumbohrer	10,5 mm
1-1022	Flexible Medullary Reamer	11,0 mm	1-1022	Flexibler Markraumbohrer	11,0 mm
1-1024	Flexible Medullary Reamer	11,5 mm	1-1024	Flexibler Markraumbohrer	11,5 mm
1-1026	Flexible Medullary Reamer	12,0 mm	1-1026	Flexibler Markraumbohrer	12,0 mm
1-1028	Flexible Medullary Reamer	12,5 mm	1-1028	Flexibler Markraumbohrer	12,5 mm
1-1030	Flexible Medullary Reamer	13,0 mm	1-1030	Flexibler Markraumbohrer	13,0 mm
1-1032	Flexible Medullary Reamer	13,5 mm	1-1032	Flexibler Markraumbohrer	13,5 mm
1-1034	Flexible Medullary Reamer	14,0 mm	1-1034	Flexibler Markraumbohrer	14,0 mm
1-1036	Flexible Medullary Reamer	14,5 mm	1-1036	Flexibler Markraumbohrer	14,5 mm
1-1038	Flexible Medullary Reamer	15,0 mm	1-1038	Flexibler Markraumbohrer	15,0 mm
1-1040	Flexible Medullary Reamer	15,5 mm	1-1040	Flexibler Markraumbohrer	15,5 mm
1-1042	Flexible Medullary Reamer	16,0 mm	1-1042	Flexibler Markraumbohrer	16,0 mm
1-1044	Flexible Medullary Reamer	16,5 mm	1-1044	Flexibler Markraumbohrer	16,5 mm
1-1046	Flexible Medullary Reamer	17,0 mm	1-1046	Flexibler Markraumbohrer	17,0 mm



TREU - INSTRUMENTE

1-1400 **BASIC INSTRUMENTATION SET FOR INTERLOCKING NAIL SYSTEM**
BASIS INSTRUMENTARIUMSATZ FÜR VERRIEGELUNGS-NAGELSYSTEM

1-1401 **Tray - Set for 1-1400 (3 pieces) Graphic Case**
Siebschaleneinsatz für 1-1400 (3 Stück)



15-1026 **Container for 1-1400**
Sterilbehälter für 1-1400

(recommended)



TREU = INSTRUMENTE

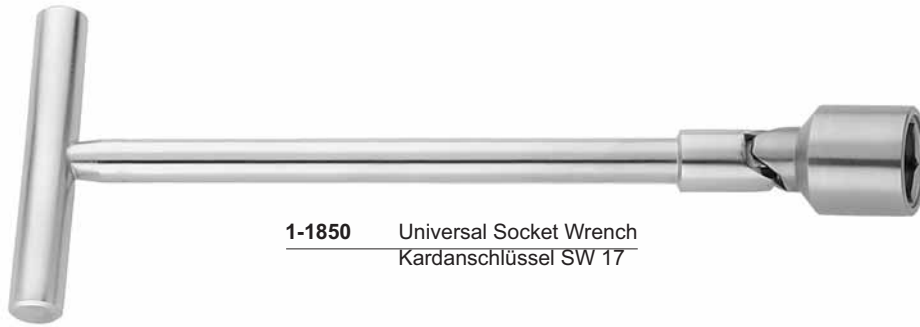
Listing: Basic Instruments for 1-1400

Liste: Basis Instrumente für 1-1400

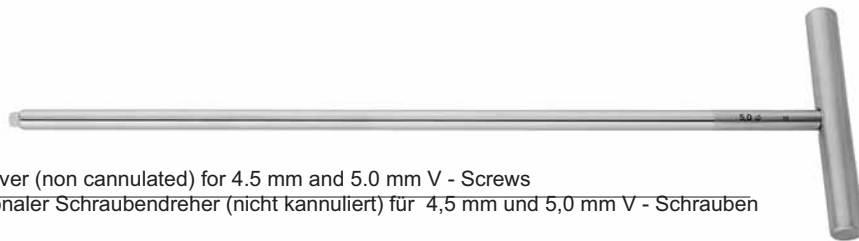
1-1401	Tray Set for 1-1400 (3 pieces)	1-1401	Siebschaleneinsatz für 1-1400 (3 Stück)
1-1850	Universal Socket Wrench	1-1850	Kardanschlüssel SW 17
1-1849	Hex Driver (non cannulated) for 4.5 mm and 5.0 mm V - Screws	1-1849	Hexagonaler Schraubendreher (nicht kannuliert) für 4,5 mm und 5,0 mm V - Schrauben
1-1851	Hex Driver (cannulated) for 6.4 mm Solid and Cannulated Locking Bolts	1-1851	Hexagonaler Schraubendreher (kannuliert) für 6,4 mm, - kannulierte 6,4 mm V - Bolzen
1-1854	Medullary Exchange Tube	1-1854	Wechsel Tube
1-1856	Internal Fracture Alignment Device	1-1856	Internes Ausrichtungsinstrument
1-1858	Depth Gauge	1-1858	Tiefenmesser
1-1869	Twist Drill, ø 3.5 mm, Length 305 mm	1-1869	Kalibrierter Bohrer, ø 3,5 mm, Länge 305 mm
1-1870	Twist Drill, ø 4.0 mm, Length 305 mm	1-1870	Kalibrierter Bohrer, ø 4,0 mm, Länge 305 mm
1-1871	Twist Drill, ø 4.8 mm, Length 305 mm	1-1871	Kalibrierter Bohrer, ø 4,8 mm, Länge 305 mm
1-1875	Trocar ø 4.0 mm x 240 mm	1-1875	Trokar ø 4,0 mm x 240 mm
1-1878	Guide Rod for Cannulated Screws, ø 1,8 mm x 350 mm (10 pieces)	1-1878	Bohrdraht für kannulierte Schrauben, ø 1,8 mm x 350 mm (10 Stück)
1-1882	Open End Wrench SW 17 / 14 (2 pieces)	1-1882	Gabelschlüssel SW 17 / 14 (2 Stück)
1-1888	Reamer / Nail and Screw Template	1-1888	Fräser / Bohrer / Nagel und Schraubenschablone
1-1890	Nail Length Gauge	1-1890	Nagel - Längenmeßlehre
1-1892	Supine Driver	1-1892	Einschläger
9-086	Handle with Jakobs Chuck	9-086	Handstück mit Jakobsfutter
1-1896	Tibial Proximal Device	1-1896	Proximal Tibia - Zielgerät
1-1900	Skin Protector	1-1900	Hautschutz
1-1901	Tapered Reamer, cannulated ø 15.5 mm for Femoral MFN. (DNS.) - Nails	1-1901	Kannulierter Formfräser ø 15,5 mm für Femur MFN. (DNS.) - Nägel
1-1902	Curved Awl	1-1902	Gebogene Öffnungssahle
1-1906	Tapered Reamer, cannulated ø 13.5 mm for Femoral / DNS. - U/R Nails	1-1906	Kannulierter Formfräser ø 13,5 mm für Femur / DNS.- U/R Nägel
1-1910	Green Drill Sleeve ø 8.0 mm	1-1910	Bohrhülse Grün ø 8,0 mm
1-1911	Silver Drill Sleeve ø 2.1 mm	1-1911	Bohrhülse Silber ø 2,1 mm
1-1913	Blue Drill Sleeve ø 4.8 mm	1-1913	Bohrhülse Blau ø 4,8 mm
1-1914	Gold Drill Sleeve ø 4.0 mm	1-1914	Bohrhülse Gold ø 4,0 mm
1-1915	Black Drill Sleeve ø 3.5 mm	1-1915	Bohrhülse Schwarz ø 3,5 mm
1-1922	Slide Hammer	1-1922	Gleithammer
1-1923	Tibial Extractor Bolt	1-1923	Tibia Extraktionsschraube
1-1966	Femoral and DNS. / MFN. - Femoral Nail, Extractor Bolt	1-1966	Femur und DNS. / MFN. - Femur Nagel, Extraktionsschraube
1-1891	Length Gauge DNS. / MFN.	1-1891	Längenmesslehre DNS. / MFN.
1-3332	Nail Adapter Bolt for Drill Guide 1-3333 DNS.	1-3332	Nageladaptionsschraube für Zielgerät 1-3333
1-3333	Universal Proximal Device for Femoral and DNS. / MFN. - Femoral Nails	1-3333	Universales Proximalzielgerät für Femur und DNS. / MFN. - Femur Nägel
1-3335	Twist Drill Cannulated ø 4.0 mm, Length 305 mm	1-3335	Kannulierter Bohrer ø 4,0 mm, Länge 305 mm
1-3336	Twist Drill Cannulated ø 4.8 mm, Length 305 mm	1-3336	Kannulierter Bohrer ø 4,8 mm, Length 305 mm
1-3337	DNS. / MFN. - Reamer ø 6.4 mm - Proximal	1-3337	DNS. / MFN. - Fräser ø 6,4 mm - Proximal



TREU = INSTRUMENTE



1-1850 Universal Socket Wrench
Kardanschlüssel SW 17



1-1849 Hex Driver (non cannulated) for 4.5 mm and 5.0 mm V - Screws
Hexagonaler Schraubendreher (nicht kannuliert) für 4,5 mm und 5,0 mm V - Schrauben

1-1851 Hex Driver (cannulated) for 6.4 mm Solid and Cannulated Locking Bolts
Hexagonaler Schraubendreher (kannuliert) für 6,4 mm, - kannulierte 6,4 mm V - Bolzen

1-1852 Hex Driver (cannulated) for 5.0 mm cannulated Locking Screws
Hexagonaler Schraubendreher (kannuliert) für kannulierte 5,0 mm Schrauben



1-1854 Medullary Exchange Tube
Wechsel Tube



1-1856 Internal Fracture Alignment Device
Internes Ausrichtungsinstrument



1-1858 Depth Gauge
Tiefenmesser



TREU = INSTRUMENTE



Drill Bits Cannulated hole \varnothing 2.1 mm Length 150 mm (recommended)
Kannulierter Bohrer Bohrung \varnothing 2,1 mm Länge 150 mm (empfohlen)

Cat. No.	\varnothing mm
1-1861	3,5
1-1862	4,0
1-1863	4,8



Drill Bits Length 150 mm (recommended)
Bohrer Länge 150 mm (empfohlen)

Cat. No.	\varnothing mm
1-1864	2,7
1-1865	3,5
1-1866	4,0
1-1867	4,8



Twist Drills Length 305 mm
Kalibrierter Bohrer Länge 305 mm

Cat. No.	\varnothing mm
1-1869	3,5
1-1870	4,0
1-1871	4,8



1-1875 Trocar \varnothing 4.0 mm x 240 mm
Trokar \varnothing 4,0 mm x 240 mm



1-1876 Tip Threaded Guide Pin \varnothing 3.2 mm x 305 mm (recommended)
Bohrdraht mit Gewinde \varnothing 3,2 mm x 305 mm (empfohlen)



1-1878 Guide Rod for Cannulated Screws, \varnothing 1,8 mm x 350 mm
Bohrdraht für kannulierte Schrauben, \varnothing 1,8 mm x 350 mm



TREU = INSTRUMENTE

Guide Rods with Spade Tip are only for Flexible Medullary Reamers Führungsdrähte

1-1872 Guide Rod for IM Nail, \varnothing 2,4 mm, Length 900 mm
Führungsdraht \varnothing 2,4 mm, Länge 900 mm

1-1873 Guide Rod for IM Nail, \varnothing 3,0 mm, Length 900 mm
Führungsdraht \varnothing 3,0 mm, Länge 900 mm

1-1874 Guide Rod for Reamer, \varnothing 2,0 mm, Length 900 mm with \varnothing 3,0 mm Spade Tip
Führungsdraht mit Olive \varnothing 2,0 mm, Länge 900 mm

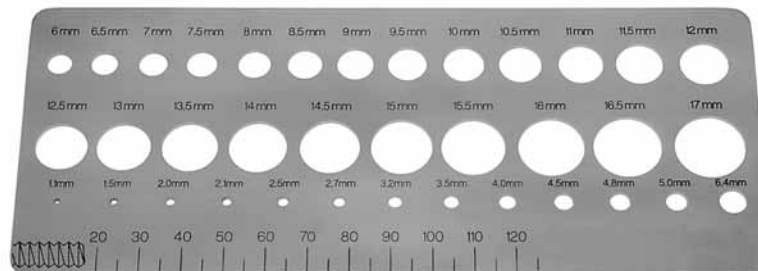
1-1879 Guide Rod for Reamer, \varnothing 3,0 mm, Length 900 mm with \varnothing 4,0 mm Spade Tip
Führungsdraht mit Olive \varnothing 3,0 mm, Länge 900 mm

1-1880 Guide Rod, \varnothing 3,0 mm, Length 900 mm with curved Tip
Führungsdraht gebogen \varnothing 3,0 mm, Länge 900 mm

1-1883 Guide Rod, \varnothing 2,4 mm, Length 900 mm with curved Tip
Führungsdraht gebogen \varnothing 2,4 mm, Länge 900 mm



1-1882 Open End Wrench SW 17 / 14
Gabelschlüssel SW 17 / 14



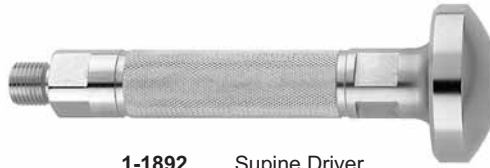
1-1888 Reamer / Nail and Screw Template
Fräser / Bohrer / Nagel und Schraubenschablone



TREU - INSTRUMENTE



1-1890 Nail Length Gauge
Nagel - Längenmeßlehre



1-1892 Supine Driver
Einschläger



9-086 Handle with Jakobs Chuck
Handstück mit Jakobsfutter



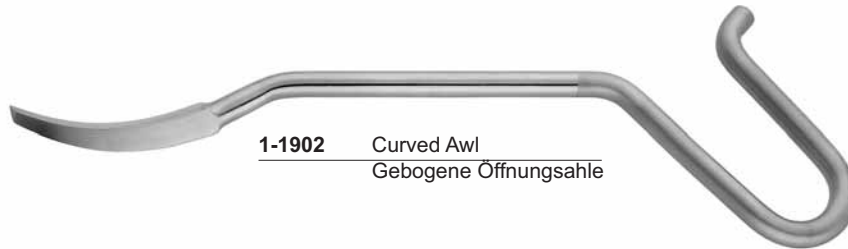
1-1896 Tibial Proximal Device
Proximal Tibia - Zielgerät



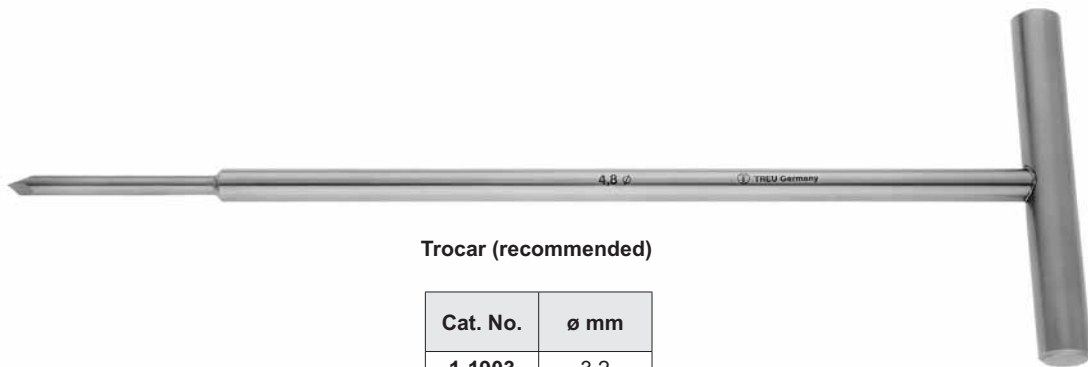
1-1900 Skin Protector
Hautschutz



TREU = INSTRUMENTE



1-1902 Curved Awl
Gebogene Öffnungsahe



Trocar (recommended)

Cat. No.	ø mm
1-1903	3,2
1-1904	4,0
1-1905	4,8
1-1907	8,0



1-1901 Tapered Reamer, cannulated ø 15.5 mm for Femoral MFN. / DNS. - U/R Nails
Kannulierter Formfräser ø 15,5 mm für Femur MFN. / DNS.- U/R Nägel

1-1906 Tapered Reamer, cannulated ø 13.5 mm for Femoral MFN. / DNS. - U/R Nails
Kannulierter Formfräser ø 13,5 mm für Femur MFN. / DNS.- U/R Nägel



1-1908 Cannulated Reamer ø 9.0 mm
Kannulierter Stufenfräser ø 9,0 mm



TREU = INSTRUMENTE



1-1910 Green Drill Sleeve ø 8.0 mm
Bohrhülse Grün ø 8,0 mm



1-1911 Silver Drill Sleeve ø 2.1 mm
Bohrhülse Silber ø 2,1 mm



1-1913 Blue Drill Sleeve ø 4.8 mm
Bohrhülse Blau ø 4,8 mm



1-1914 Gold Drill Sleeve ø 4.0 mm
Bohrhülse Gold ø 4,0 mm



1-1915 Black Drill Sleeve ø 3.5 mm
Bohrhülse Schwarz ø 3,5 mm



1-1922 Slide Hammer
Gleithammer



1-1923 Tibial Extractor Bolt
Tibia Extraktionsschraube



1-1966 Femoral and DNS. - Femoral Nail, Extractor Bolt
Femur und DNS.-Femur Nagel, Extraktionsschraube



TREU - INSTRUMENTE



1-1891 Length Gauge MFN. / DNS.
Längenmesslehre MFN. / DNS.



1-1878 Guide Rod for Cannulated Screws, \varnothing 1,8 mm x 350 mm
Bohrdraht für kannulierte Schrauben, \varnothing 1,8 mm x 350 mm



1-3332 Nail Adapter Bolt for Drill Guide 1-3333 MFN. / DNS.
Nageladaptionsschraube für Zielgerät 1-3333 MFN. / DNS.



1-3333 Universal Proximal Device for Femoral and MFN. / DNS. - Femoral Nails
Universales Proximalzielgerät für Femur und MFN. / DNS.- Femur Nägel



TREU = INSTRUMENTE



- 1-3335** MFN. / DNS. Twist Drill cannulated \varnothing 4.0 mm, Length 325 / 305 mm
MFN. / DNS. Kannulierter Bohrer \varnothing 4,0 mm, Länge 325 / 305 mm
- 1-3336** MFN. / DNS. Twist Drill cannulated \varnothing 4.8 mm, Length 325 / 305 mm
MFN. / DNS. Kannulierter Bohrer \varnothing 4,8 mm, Length 325 / 305 mm



- 1-3337** MFN. / DNS. - Reamer \varnothing 6.4 mm
MFN. / DNS. - Fräser \varnothing 6,4 mm



Kunden-Info

„Röntgenunabhängiges -Zielgerät- mit Voreinstellung für distale Verriegelung !“

Einfache und multifunktionelle Anwendung für TREU - Femur - und Tibia Verriegelungsnägel.

Hohe Präzision bei distaler Verriegelung. Zeitlich kalkulatorische OP.

Ärzte stehen im Dienste der Medizin, an Ihre eigene Gesundheit denken Sie aber nie.

Denken Sie an Ihre eigene Gesundheit.

Führende Wissenschaftler stellten fest, daß die Strahlenbelastung höher ist, als bei den Kindern und Ingenieuren von TSCHERNOBIL.

Customers Info

„Target Device Independent of X-Rays with pre-adjustment, for distal locking !“

Simple and multifunctional application for TREU-Femoral and Tibial Interlocking Nails.

High precision in distal locking. Easily to be calculated operating time.

Surgeons are serving medicine. Mostly they neglect their own health !

Please remember your health.

Leading scientists have discovered that radiation dosage in operating theatres is higher than the dosage received by the children and engineers of Tschernobil.



TREU - INSTRUMENTE

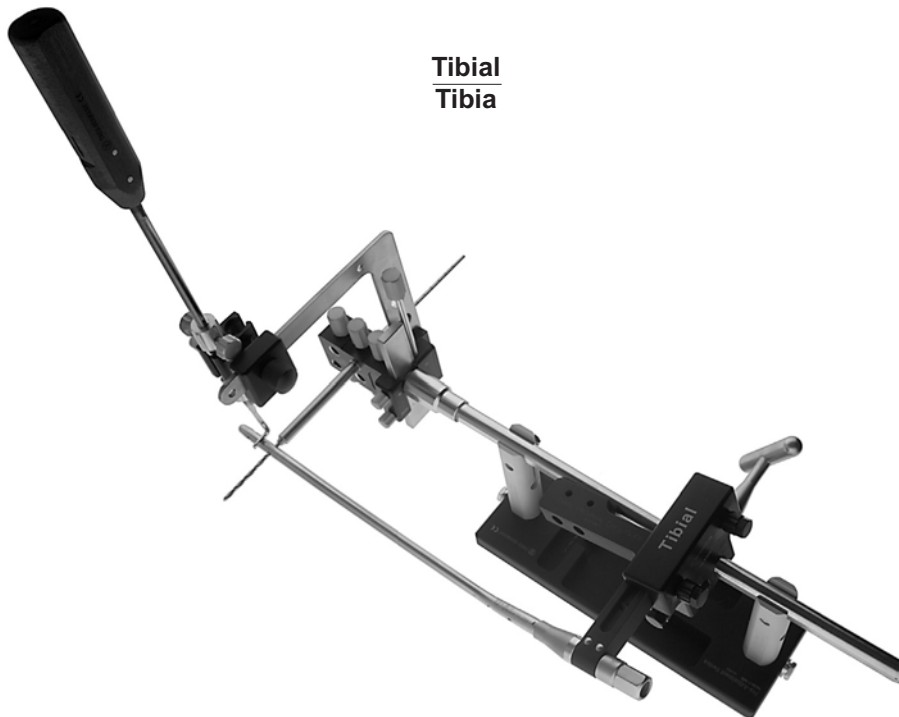
Reduction of the X - Ray exposure
Reduzierung der Röntgenstrahlen

Femoral
Femur



Targeting Device with Pre - Adjustment Device
Zielgerät mit Voreinstellgerät

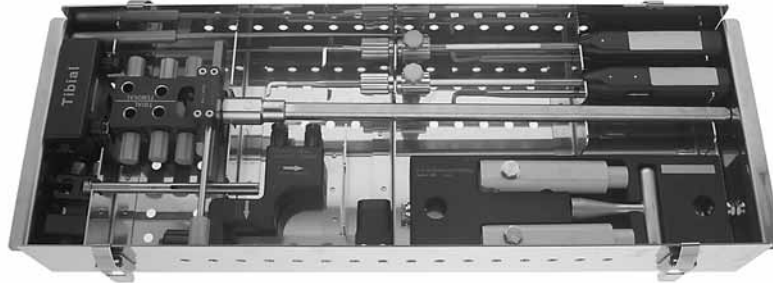
Tibial
Tibia



Targeting Device with Pre - Adjustment Device
Zielgerät mit Voreinstellgerät



TREU - INSTRUMENTE



1-1980 INSTRUMENT SET FOR DISTAL DEVICE EQUIPMENT

SET LISTING:

1-1962	Tray for Distal Device Equipment (Steel Tray include Lid)	
1-1950	Distal Targeting Device	1 pcs.
1-1951	Outrigger	1 pcs.
1-1956	Wrench, hexagonal 14 mm	1 pcs.
1-1960	Pre - Adjustment Device	1 pcs.
1-1930	Tibial Adapter Block	1 pcs.
1-1933	Femoral Adapter Block	1 pcs.
1-1963	Fixation Hook - 20 mm	1 pcs.
1-1964	Fixation Hook - 15 mm	1 pcs.
1-1965	Silver Drill Sleeve 8 mm	1 pcs.
1-1967	Hook Awl - 15 mm for 1-1964	1 pcs.
1-1968	Hook Awl - 20 mm for 1-1963	1 pcs.

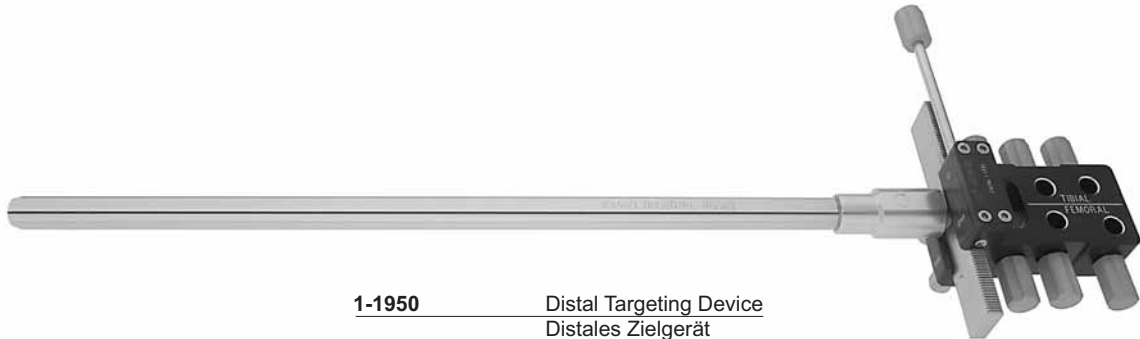
1-1980 INSTRUMENTENSATZ FÜR DISTALES ZIELGERÄT MIT ZUBEHÖR

SATZLISTE:

1-1962	Sieb für distales Zielgerät mit Zubehör (Stahlsieb mit Deckel)	
1-1950	Distales Zielgerät	1 Stück
1-1951	Haken - Arm	1 Stück
1-1956	Schlüssel SW 14	1 Stück
1-1960	Voreinstellgerät	1 Stück
1-1930	Tibia Adapter Block	1 Stück
1-1933	MFN. / DNS. / Femur Adapter Block	1 Stück
1-1963	Fixationshaken - 20 mm	1 Stück
1-1964	Fixationshaken - 15 mm	1 Stück
1-1965	Bohrhülse Siver 8 mm	1 Stück
1-1967	Hakenahle - 15 mm für 1-1964	1 Stück
1-1968	Hakenahle - 20 mm für 1-1963	1 Stück



TREU - INSTRUMENTE



1-1950 Distal Targeting Device
Distales Zielgerät



1-1960 Pre - Adjustment Device
Voreinstellgerät



1-1930 Tibial Adapter Block
Tibia Adapter Block



1-1933 Femoral MFN. / DNS. - Adapter
Femur MFN. / DNS. - Adapter



TREU = INSTRUMENTE



1-1951

Outrigger
Haken - Arm



1-1956

Wrench, hexagonal 14 mm
Schlüssel 14 mm



1-1963

Fixation Hook - 20 mm
Fixationshaken - 20 mm

1-1964

Fixation Hook - 15 mm
Fixationshaken - 15 mm



1-1965

Silver Drill Sleeve 8 mm
Bohrhülse Silber 8 mm



1-1967

Hook Awl for 1-1964 - 15 mm
Hakenahle für 1-1964 - 15 mm

1-1968

Hook Awl for 1-1963 - 20 mm
Hakenahle für 1-1963 - 20 mm



TREU = INSTRUMENTE

Treu Humeral Interlocking Nails Treu Humerus Verriegelungsnagel



Cat. No.	ø mm	Length cm
1-2000	7	18
1-2001	7	20
1-2002	7	22
1-2003	7	24
1-2004	7	26
1-2005	7	28
1-2006	7	30
1-2007	8	18
1-2008	8	20
1-2009	8	22
1-2010	8	24
1-2011	8	26
1-2012	8	28
1-2013	8	30
1-2014	9	18
1-2015	9	20
1-2016	9	22
1-2017	9	24
1-2018	9	26
1-2019	9	28
1-2020	9	30

Locking Screws for Humeral Nails ø 4.0 mm Verriegelungsschrauben ø 4,0 mm



Cat. No.	Length mm
1-2300	10
1-2302	12
1-2304	14
1-2306	16
1-2308	18
1-2310	20
1-2312	22
1-2314	24
1-2316	26
1-2318	28
1-2320	30
1-2322	32
1-2324	35
1-2326	40
1-2328	40
1-2330	50
1-2332	55
1-2334	60

Screw Plug Threaded 1/4" Verschlußschrauben mit 1/4" Gewinde



1-2025



TREU = INSTRUMENTE

Humeral Interlocking Instrumentation (Only for Humerus - not included in the Set 1-1400) Humerus Instrumentarium (Nur für Humerus - nicht integriert in 1-1400)



1-2045 Humeral Proximal Drill Guide
Humerus Proximal Zielgerät



1-2055 Adapter for Nail Driver and Extractor (1-1922)
Adapter für Extraktor (1-1922)



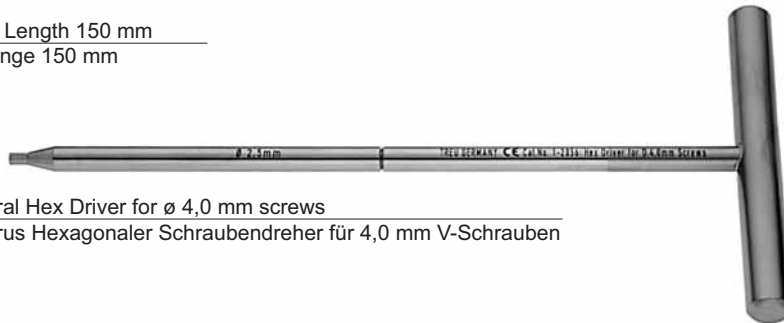
1-2046 Humeral Drill Sleeve ø 6,0 mm short
Humerus Bohrhülse ø 6,0 mm kurz



1-2047 Humeral Drill Sleeve ø 2,7 mm short
Humerus Bohrhülse ø 2,7 mm kurz



1-1864 Drill Bit Dia. 2,7 mm, Length 150 mm
Bohrer ø 2,7 mm, Länge 150 mm



1-2056 Humeral Hex Driver for ø 4,0 mm screws
Humerus Hexagonaler Schraubendreher für 4,0 mm V-Schrauben



1-1908 Cannulated Reamer ø 9.0 mm
Kannulierter Stufenfräser ø 9,0 mm



1-1876 Tip Threaded Guide Pin ø 3.2 mm x 305 mm (recommended)
Bohrdraht mit Gewinde ø 3,2 mm x 305 mm (empfohlen)

1-2040 Nail Guide Wire, ø 2,4 mm, Length 500 mm
Nagel - Führungsdraht ø 2,4 mm, Länge 500 mm



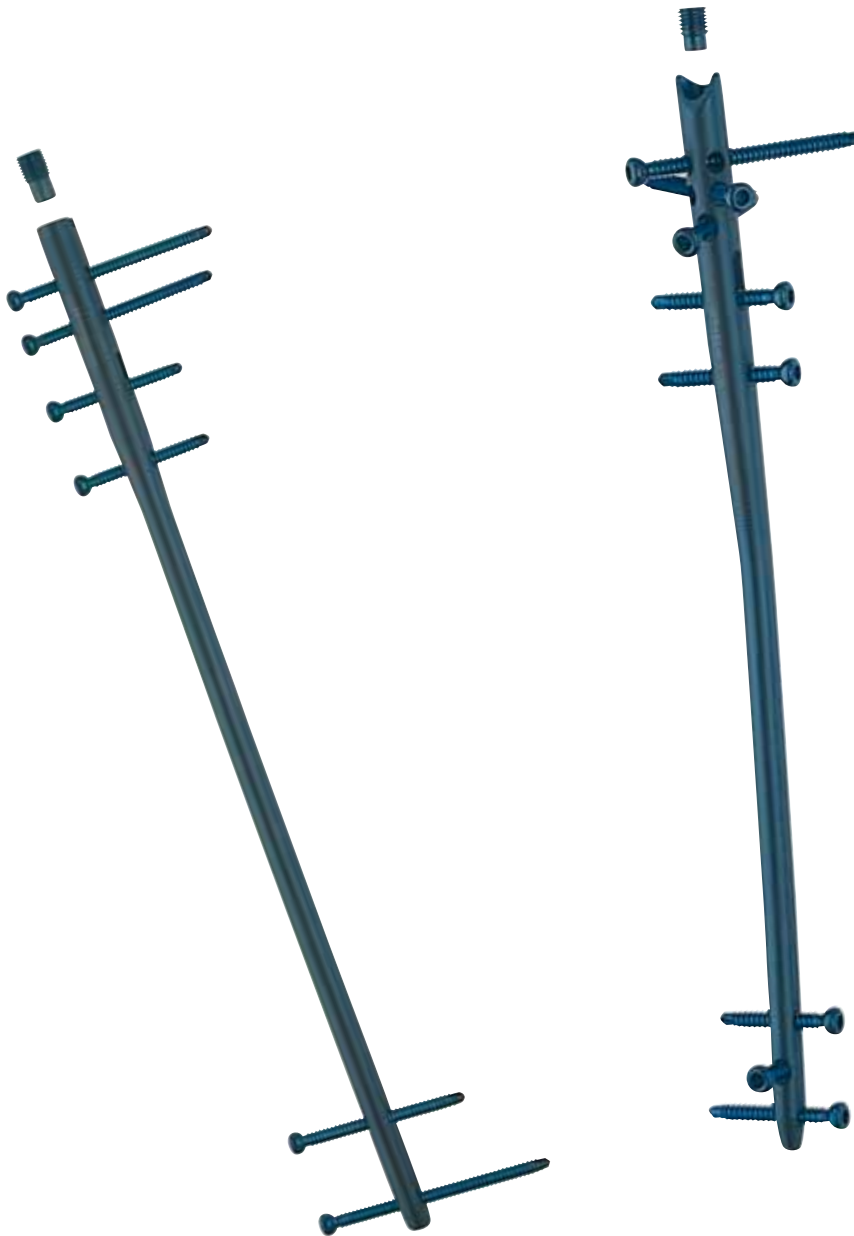
TREU = INSTRUMENTE

NEW



TREU = INSTRUMENTE

Titanium Femoral and Tibial Nailing System



Rev: 150507



TREU = INSTRUMENTE

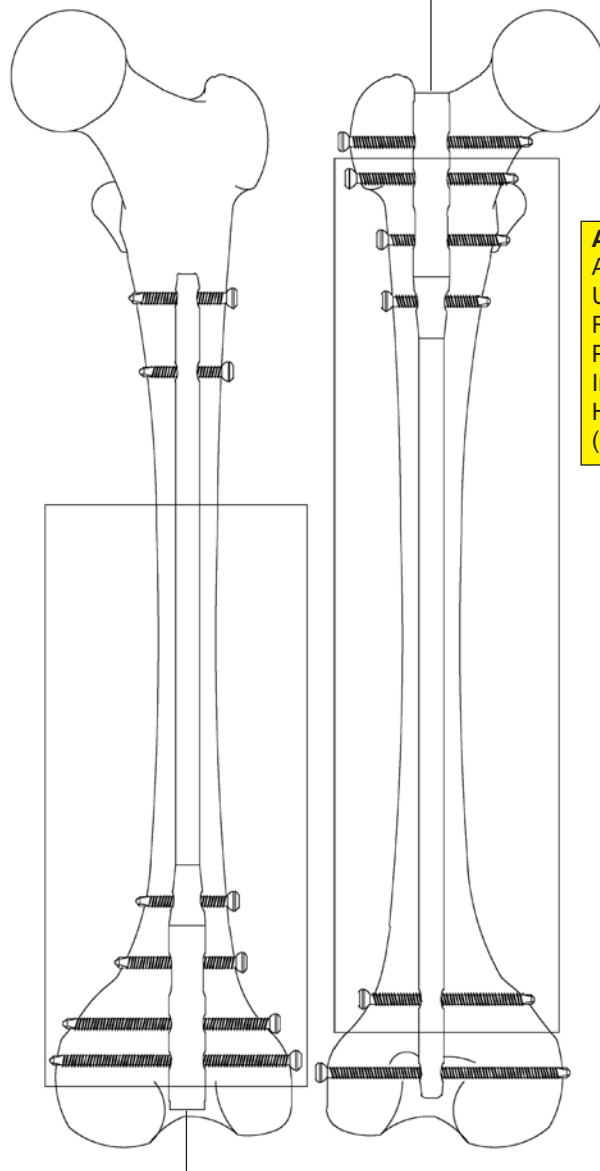


TREU = INSTRUMENTE

TREU Titanium Femoral Nail

Antegrade Indication

- Pertrochanteric fractures
- Intertrochanteric fractures
- High subtrochanteric fractures
- Low subtrochanteric fractures
- Distal shaft fractures



Advantages:

- Ante- and retrograde Indication
- Unreamed insertion
- Rotation stability
- Proximal angle stability
- Intra- and postoperative security insertion
- High economy
- (One nail for left and right)

Retrograde Indication

- Shaft fractures
- Distal shaft fractures
- Condylar fractures



TREU - INSTRUMENTE

Product Description for $\varnothing 8.0 / \varnothing 9.0$ mm Titanium - U/R Solid Femoral Nails



Titanium Locking Screw Implants Dia. 4.5 mm		
Cat. No.	Dia.	Length
1-1745025	$\varnothing 4.5$ mm	25 mm
1-1745030	$\varnothing 4.5$ mm	30 mm
1-1745035	$\varnothing 4.5$ mm	35 mm
1-1745040	$\varnothing 4.5$ mm	40 mm
1-1745045	$\varnothing 4.5$ mm	45 mm
1-1745050	$\varnothing 4.5$ mm	50 mm
1-1745055	$\varnothing 4.5$ mm	55 mm
1-1745060	$\varnothing 4.5$ mm	60 mm
1-1745065	$\varnothing 4.5$ mm	65 mm
1-1745070	$\varnothing 4.5$ mm	70 mm
1-1745075	$\varnothing 4.5$ mm	75 mm
1-1745080	$\varnothing 4.5$ mm	80 mm
1-1745085	$\varnothing 4.5$ mm	85 mm
1-1745090	$\varnothing 4.5$ mm	90 mm
1-1745095	$\varnothing 4.5$ mm	95 mm
1-1745100	$\varnothing 4.5$ mm	100 mm

Titanium Locking Screw Implants Dia. 5.0 mm		
Cat. No.	Dia.	Length
1-1785025	$\varnothing 5.0$ mm	25 mm
1-1785030	$\varnothing 5.0$ mm	30 mm
1-1785035	$\varnothing 5.0$ mm	35 mm
1-1785040	$\varnothing 5.0$ mm	40 mm
1-1785045	$\varnothing 5.0$ mm	45 mm
1-1785050	$\varnothing 5.0$ mm	50 mm
1-1785055	$\varnothing 5.0$ mm	55 mm
1-1785060	$\varnothing 5.0$ mm	60 mm
1-1785065	$\varnothing 5.0$ mm	65 mm
1-1785070	$\varnothing 5.0$ mm	70 mm
1-1785075	$\varnothing 5.0$ mm	75 mm
1-1785080	$\varnothing 5.0$ mm	80 mm
1-1785085	$\varnothing 5.0$ mm	85 mm
1-1785090	$\varnothing 5.0$ mm	90 mm
1-1785095	$\varnothing 5.0$ mm	95 mm
1-1785100	$\varnothing 5.0$ mm	100 mm

Titanium Solid Femoral Nail Implants Dia. 8.0 mm		
Cat. No.	Dia.	Length
1-164280	$\varnothing 8.0$ mm	280 mm
1-164300	$\varnothing 8.0$ mm	300 mm
1-164320	$\varnothing 8.0$ mm	320 mm
1-164340	$\varnothing 8.0$ mm	340 mm
1-164360	$\varnothing 8.0$ mm	360 mm
1-164380	$\varnothing 8.0$ mm	380 mm

Titanium Solid Femoral Nail Implants Dia. 9.0 mm		
Cat. No.	Dia.	Length
1-165300	$\varnothing 9.0$ mm	300 mm
1-165320	$\varnothing 9.0$ mm	320 mm
1-165340	$\varnothing 9.0$ mm	340 mm
1-165360	$\varnothing 9.0$ mm	360 mm
1-165380	$\varnothing 9.0$ mm	380 mm
1-165400	$\varnothing 9.0$ mm	400 mm
1-165420	$\varnothing 9.0$ mm	420 mm
1-165440	$\varnothing 9.0$ mm	440 mm

Product Description for $\varnothing 8.0 / 9.0$ mm Titanium - U/R Solid Femoral Nails
 Material for Titanium Implants: DIN1 ISO 5832-3 Titanium Alloy Ti-6Al-4V
 according to biocompatibility DIN ISO 10993-1:2003



TREU - INSTRUMENTE

Product Description for \varnothing 10.0 / \varnothing 11.0 mm Titanium - U/R Cannulated Femoral Nails



Titanium Locking Screw Implants Dia. 5.0 mm		
Cat. No.	Dia.	Length
1-1785025	\varnothing 5.0 mm	25 mm
1-1785030	\varnothing 5.0 mm	30 mm
1-1785035	\varnothing 5.0 mm	35 mm
1-1785040	\varnothing 5.0 mm	40 mm
1-1785045	\varnothing 5.0 mm	45 mm
1-1785050	\varnothing 5.0 mm	50 mm
1-1785055	\varnothing 5.0 mm	55 mm
1-1785060	\varnothing 5.0 mm	60 mm
1-1785065	\varnothing 5.0 mm	65 mm
1-1785070	\varnothing 5.0 mm	70 mm
1-1785075	\varnothing 5.0 mm	75 mm
1-1785080	\varnothing 5.0 mm	80 mm
1-1785085	\varnothing 5.0 mm	85 mm
1-1785090	\varnothing 5.0 mm	90 mm
1-1785095	\varnothing 5.0 mm	95 mm
1-1785100	\varnothing 5.0 mm	100 mm
Titanium Cannulated Femoral Nail Implants Dia. 10.0 mm		
Cat. No.	Dia.	Length
1-166300	\varnothing 10,0 mm	300 mm
1-166320	\varnothing 10,0 mm	320 mm
1-166340	\varnothing 10,0 mm	340 mm
1-166360	\varnothing 10,0 mm	360 mm
1-166380	\varnothing 10,0 mm	380 mm
1-166400	\varnothing 10,0 mm	400 mm
1-166420	\varnothing 10,0 mm	420 mm
1-166440	\varnothing 10,0 mm	440 mm
1-166460	\varnothing 10,0 mm	460 mm
1-166480	\varnothing 10,0 mm	480 mm
Titanium Cannulated Femoral Nail Implants Dia. 11.0 mm		
Cat. No.	Dia.	Length
1-167300	\varnothing 11.0 mm	300 mm
1-167320	\varnothing 11.0 mm	320 mm
1-167340	\varnothing 11.0 mm	340 mm
1-167360	\varnothing 11.0 mm	360 mm
1-167380	\varnothing 11.0 mm	380 mm
1-167400	\varnothing 11.0 mm	400 mm
1-167420	\varnothing 11.0 mm	420 mm
1-167440	\varnothing 11.0 mm	440 mm
1-167460	\varnothing 11.0 mm	460 mm
1-167480	\varnothing 11.0 mm	480 mm
1-167500	\varnothing 11.0 mm	500 mm

Product Description for \varnothing 10.0 / 11.0 mm Titanium - U/R Cannulated Femoral Nails
 Material for Titanium Implants: DIN ISO 5832-3 Titanium Alloy Ti-6Al-4V
 according to biocompatibility DIN ISO 10993-1:2003

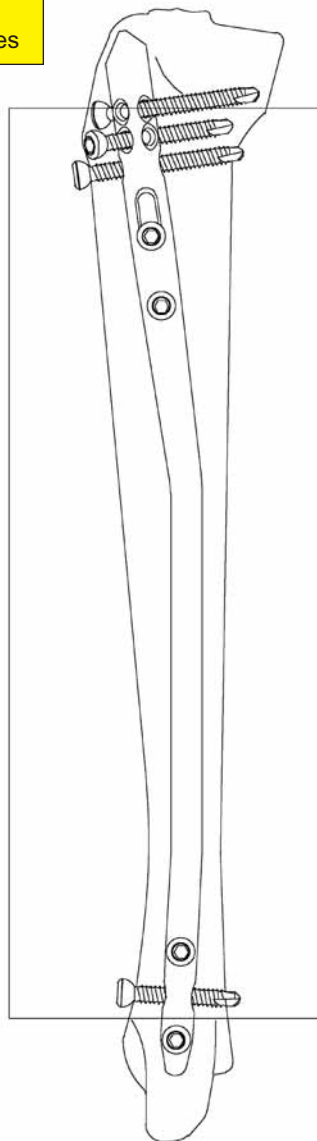


TREU = INSTRUMENTE

TREU Titanium Tibial Nail

Indication

- Proximal fractures
- Shaft fractures
- Distal shaft fractures



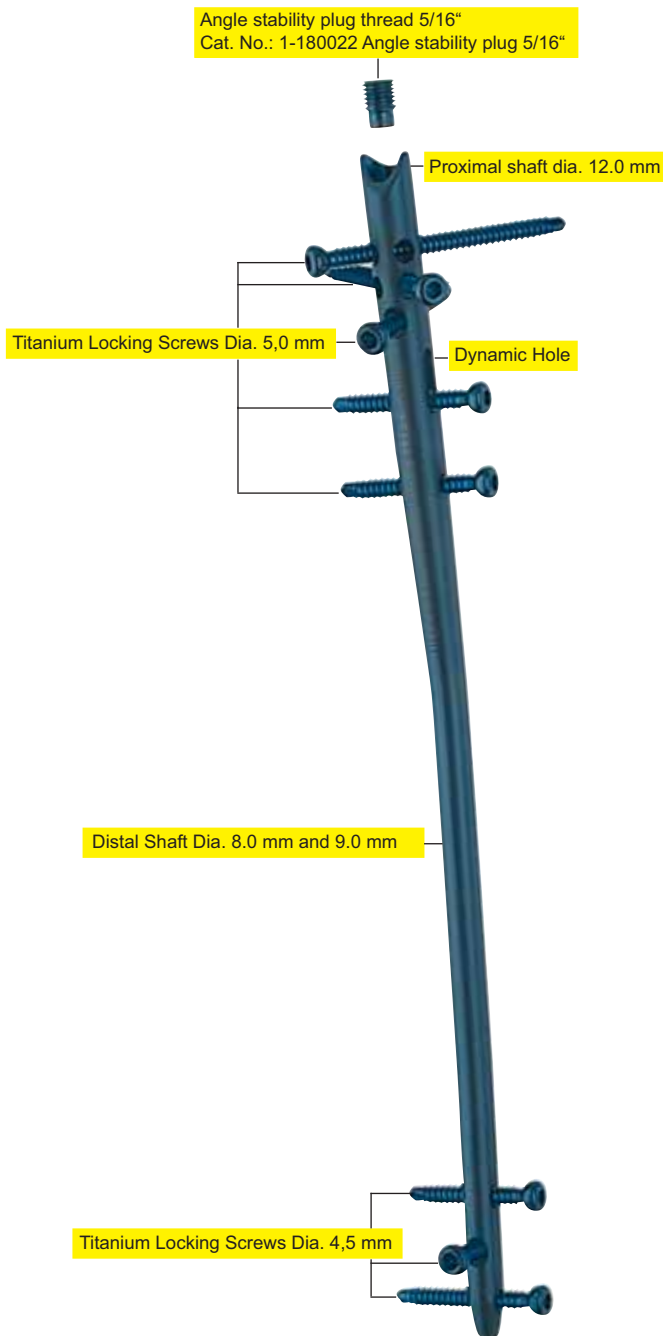
Advantages:

- Unreamed insertion
- Rotation stability
- Proximal angle stability
- Intra- and postoperative security insertion
- Dynamisation
- High economy



TREU - INSTRUMENTE

Product Description for ø 8.0 / ø 9.0 mm Titanium - U/R Solid Tibial Nails



Titanium Locking Screw Implants Dia. 4.5 mm		
Cat. No.	Dia.	Length
1-1745025	ø 4.5 mm	25 mm
1-1745030	ø 4.5 mm	30 mm
1-1745035	ø 4.5 mm	35 mm
1-1745040	ø 4.5 mm	40 mm
1-1745045	ø 4.5 mm	45 mm
1-1745050	ø 4.5 mm	50 mm
1-1745055	ø 4.5 mm	55 mm
1-1745060	ø 4.5 mm	60 mm
1-1745065	ø 4.5 mm	65 mm
1-1745070	ø 4.5 mm	70 mm
1-1745075	ø 4.5 mm	75 mm
1-1745080	ø 4.5 mm	80 mm
1-1745085	ø 4.5 mm	85 mm
1-1745090	ø 4.5 mm	90 mm
1-1745095	ø 4.5 mm	95 mm
1-1745100	ø 4.5 mm	100 mm

Titanium Locking Screw Implants Dia. 5.0 mm		
Cat. No.	Dia.	Length
1-1785025	ø 5.0 mm	25 mm
1-1785030	ø 5.0 mm	30 mm
1-1785035	ø 5.0 mm	35 mm
1-1785040	ø 5.0 mm	40 mm
1-1785045	ø 5.0 mm	45 mm
1-1785050	ø 5.0 mm	50 mm
1-1785055	ø 5.0 mm	55 mm
1-1785060	ø 5.0 mm	60 mm
1-1785065	ø 5.0 mm	65 mm
1-1785070	ø 5.0 mm	70 mm
1-1785075	ø 5.0 mm	75 mm
1-1785080	ø 5.0 mm	80 mm
1-1785085	ø 5.0 mm	85 mm
1-1785090	ø 5.0 mm	90 mm
1-1785095	ø 5.0 mm	95 mm
1-1785100	ø 5.0 mm	100 mm

Titanium Solid Tibial Nail Implants Dia. 8.0 mm		
Cat. No.	Dia.	Length
1-174255	ø 8.0 mm	255 mm
1-174270	ø 8.0 mm	270 mm
1-174285	ø 8.0 mm	285 mm
1-174300	ø 8.0 mm	300 mm
1-174315	ø 8.0 mm	315 mm
1-174330	ø 8.0 mm	330 mm
1-174345	ø 8.0 mm	345 mm
1-174360	ø 8.0 mm	360 mm
1-174380	ø 8.0 mm	380 mm

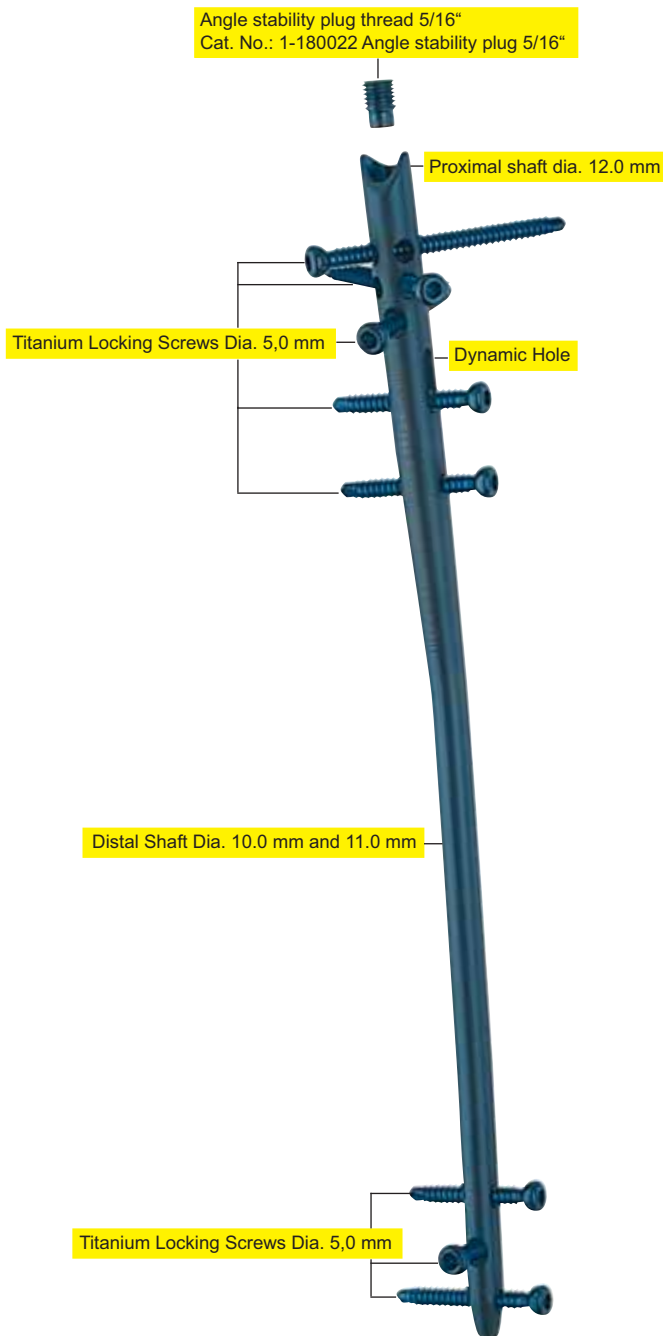
Titanium Solid Tibial Nail Implants Dia. 9.0 mm		
Cat. No.	Dia.	Length
1-175255	ø 9.0 mm	255 mm
1-175270	ø 9.0 mm	270 mm
1-175285	ø 9.0 mm	285 mm
1-175300	ø 9.0 mm	300 mm
1-175315	ø 9.0 mm	315 mm
1-175330	ø 9.0 mm	330 mm
1-175345	ø 9.0 mm	345 mm
1-175360	ø 9.0 mm	360 mm
1-175380	ø 9.0 mm	380 mm
1-175400	ø 9.0 mm	400 mm
1-175420	ø 9.0 mm	420 mm

Product Description for ø 8.0 / 9.0 mm Titanium - U/R Solid Tibial Nails
 Material for Titanium Implants: DIN ISO 5832-3 Titanium Alloy Ti-6Al-4V
 according to biocompatibility DIN ISO 10993-1:2003



TREU - INSTRUMENTE

Product Description for ø 10.0 / ø 11.0 mm Titanium - U/R Cannulated Tibial Nails



Titanium Locking Screw Implants Dia. 5.0 mm		
Cat. No.	Dia.	Length
1-1785025	ø 5.0 mm	25 mm
1-1785030	ø 5.0 mm	30 mm
1-1785035	ø 5.0 mm	35 mm
1-1785040	ø 5.0 mm	40 mm
1-1785045	ø 5.0 mm	45 mm
1-1785050	ø 5.0 mm	50 mm
1-1785055	ø 5.0 mm	55 mm
1-1785060	ø 5.0 mm	60 mm
1-1785065	ø 5.0 mm	65 mm
1-1785070	ø 5.0 mm	70 mm
1-1785075	ø 5.0 mm	75 mm
1-1785080	ø 5.0 mm	80 mm
1-1785085	ø 5.0 mm	85 mm
1-1785090	ø 5.0 mm	90 mm
1-1785095	ø 5.0 mm	95 mm
1-1785100	ø 5.0 mm	100 mm
Titanium Cannulated Tibial Nail Implants Dia. 10.0 mm		
Cat. No.	Dia.	Length
1-176255	ø 10,0 mm	255 mm
1-176270	ø 10,0 mm	270 mm
1-176285	ø 10,0 mm	285 mm
1-176300	ø 10,0 mm	300 mm
1-176315	ø 10,0 mm	315 mm
1-176330	ø 10,0 mm	330 mm
1-176345	ø 10,0 mm	345 mm
1-176360	ø 10,0 mm	360 mm
1-176380	ø 10,0 mm	380 mm
1-176400	ø 10,0 mm	400 mm
1-176420	ø 10,0 mm	420 mm
Titanium Cannulated Tibial Nail Implants Dia. 11.0 mm		
Cat. No.	Dia.	Length
1-177255	ø 11.0 mm	255 mm
1-177270	ø 11.0 mm	270 mm
1-177285	ø 11.0 mm	285 mm
1-177300	ø 11.0 mm	300 mm
1-177315	ø 11.0 mm	315 mm
1-177330	ø 11.0 mm	330 mm
1-177345	ø 11.0 mm	345 mm
1-177360	ø 11.0 mm	360 mm
1-177380	ø 11.0 mm	380 mm
1-177400	ø 11.0 mm	400 mm
1-177420	ø 11.0 mm	420 mm
1-177440	ø 11.0 mm	440 mm

Product Description for ø 10.0 / 11.0 mm Titanium - U/R Cannulated Tibial Nails
 Material for Titanium Implants: DIN ISO 5832-3 Titanium Alloy Ti-6Al-4V
 according to biocompatibility DIN ISO 10993-1:2003



TREU = INSTRUMENTE

Listing: 1-18400 Titanium Locking Screw and Plug Set (Titanium Screws and Plugs in Mat. DIN ISO 5832-3)

Cat.: No		Pcs.:
1-18410	Tray for Titanium Locking Screw and Plug Set (Steel) GRAPHIC CASE	1
Dia. 4.5 mm Locking Screws		
1-1745025	Length 25 mm, Titanium	4
1-1745030	Length 30 mm, Titanium	4
1-1745035	Length 35 mm, Titanium	4
1-1745040	Length 40 mm, Titanium	4
1-1745045	Length 45 mm, Titanium	4
1-1745050	Length 50 mm, Titanium	4
1-1745055	Length 55 mm, Titanium	4
1-1745060	Length 60 mm, Titanium	4
1-1745065	Length 65 mm, Titanium	4
1-1745070	Length 70 mm, Titanium	4
1-1745075	Length 75 mm, Titanium	4
1-1745080	Length 80 mm, Titanium	4
1-1745085	Length 85 mm, Titanium	4
1-1745090	Length 90 mm, Titanium	4
1-1745095	Length 95 mm, Titanium	4
1-1745100	Length 100 mm, Titanium	4
1-180020	Titanium Femoral Screw Plug 3/18"	4
1-180022	Titanium Femoral Screw Plug 5/16"	4
4-184	Screw Forceps	1

Cat.: No	Dia. 5.0 mm Locking Screws	Pcs.:
1-1785025	Length 25 mm, Titanium	4
1-1785030	Length 30 mm, Titanium	4
1-1785035	Length 35 mm, Titanium	4
1-1785040	Length 40 mm, Titanium	4
1-1785045	Length 45 mm, Titanium	4
1-1785050	Length 50 mm, Titanium	4
1-1785055	Length 55 mm, Titanium	4
1-1785060	Length 60 mm, Titanium	4
1-1785065	Length 65 mm, Titanium	4
1-1785070	Length 70 mm, Titanium	4
1-1785075	Length 75 mm, Titanium	4
1-1785080	Length 80 mm, Titanium	4
1-1785085	Length 85 mm, Titanium	4
1-1785090	Length 90 mm, Titanium	4
1-1785095	Length 95 mm, Titanium	4
1-1785100	Length 100 mm, Titanium	4



1-18410 Tray for Titanium
Screw and Plug Set



Recommended Sterilization for 1-18400 (are not included in the Set):

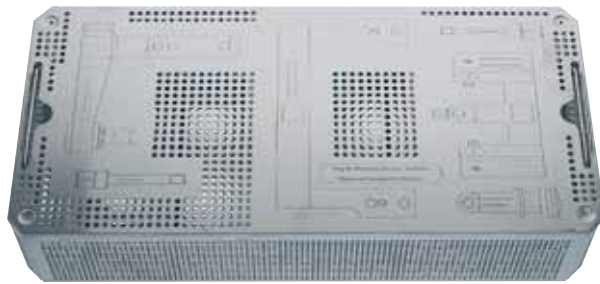
Cat. No.: 15-2164 Container 310 x 190 x 130 mm,
Lid and Bottom perforated



TREU = INSTRUMENTE

Listing: 1-14000 Set for proximal Devices Titanium Tibial and Femoral Nail System

1-14001	Tray for Proximal Devices, Titanium Tibial and Femoral Nail System	1 pcs.
1-33330	Proximal Device for Titanium U/R Femoral Nails	1 pcs.
1-3332	Femoral Adapter Bolt	1 pcs.
1-18960	Proximal Device for Titanium U/R Tibial Nails	1 pcs.



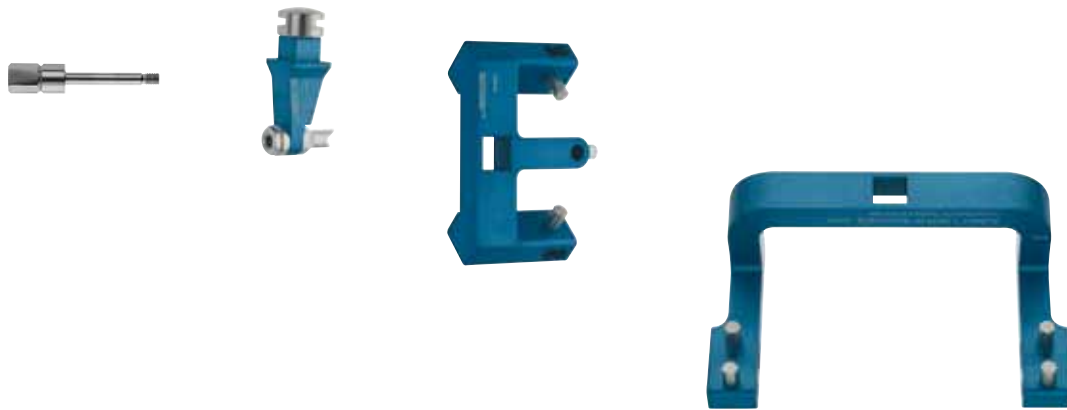
Recommended Sterilization Container for Set 1-14000
(Are not include in the Set):
Cat. No.: 15-1010 Sterilization Container



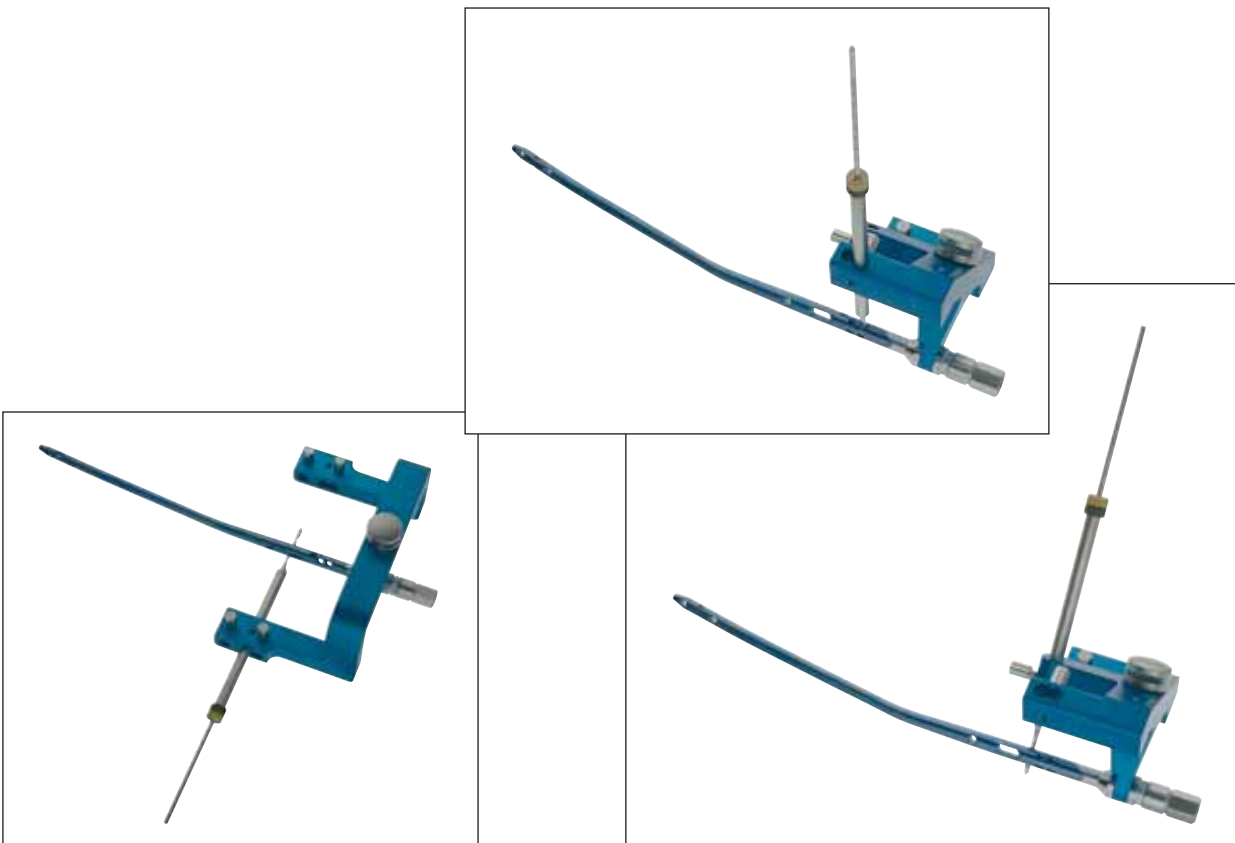
TREU = INSTRUMENTE

1-18960 Proximal Device for Titanium U/R Tibial Nails

Assembly components for Tibial proximal Device



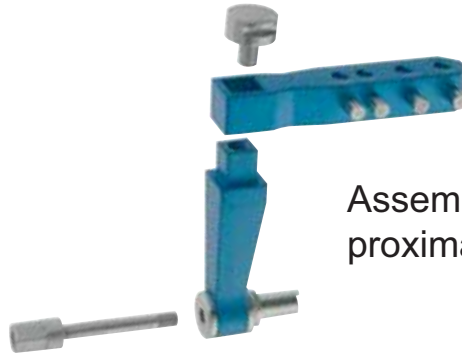
Assembly's



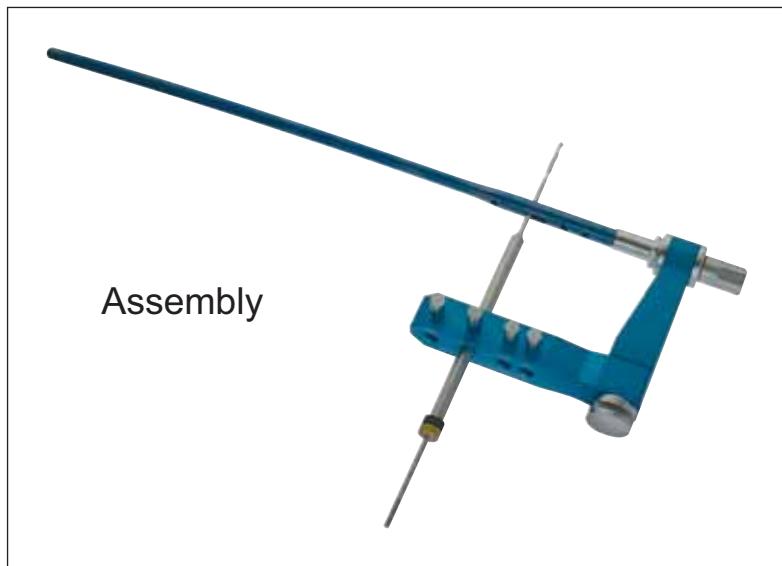


TREU = INSTRUMENTE

1-33330 Proximal Device for Titanium U/R Femoral Nails



Assembly components for proximal Femoral Device



1-19300 Tibial Adapter Block for
Titanium U/R Tibial Nails



TREU = INSTRUMENTE



15-1013 Container
Sterilbehälter

1-1928 Flexible Reamer Set Trays (2 pieces), empty
Siebschalen für flexible Markraumböhrer (nicht gefüllt)



1-1927 Complete Flexible Medullary Reamer Set
Flexibler Markraumböhrer Satz, komplett

Cat. No.:	Description	Diameter
1-1002	Flexible Medullary Reamer	6,0 mm
1-1004	Flexible Medullary Reamer	6,5 mm
1-1006	Flexible Medullary Reamer	7,0 mm
1-1008	Flexible Medullary Reamer	7,5 mm
1-1010	Flexible Medullary Reamer	8,0 mm
1-1012	Flexible Medullary Reamer	8,5 mm
1-1014	Flexible Medullary Reamer	9,0 mm
1-1016	Flexible Medullary Reamer	9,5 mm
1-1018	Flexible Medullary Reamer	10,0 mm
1-1020	Flexible Medullary Reamer	10,5 mm
1-1022	Flexible Medullary Reamer	11,0 mm
1-1024	Flexible Medullary Reamer	11,5 mm
1-1026	Flexible Medullary Reamer	12,0 mm
1-1028	Flexible Medullary Reamer	12,5 mm
1-1030	Flexible Medullary Reamer	13,0 mm
1-1032	Flexible Medullary Reamer	13,5 mm
1-1034	Flexible Medullary Reamer	14,0 mm
1-1036	Flexible Medullary Reamer	14,5 mm
1-1038	Flexible Medullary Reamer	15,0 mm
1-1040	Flexible Medullary Reamer	15,5 mm
1-1042	Flexible Medullary Reamer	16,0 mm
1-1044	Flexible Medullary Reamer	16,5 mm
1-1046	Flexible Medullary Reamer	17,0 mm

Art. Nr.:	Beschreibung	Durchmesser
1-1002	Flexibler Markraumböhrer	6,0 mm
1-1004	Flexibler Markraumböhrer	6,5 mm
1-1006	Flexibler Markraumböhrer	7,0 mm
1-1008	Flexibler Markraumböhrer	7,5 mm
1-1010	Flexibler Markraumböhrer	8,0 mm
1-1012	Flexibler Markraumböhrer	8,5 mm
1-1014	Flexibler Markraumböhrer	9,0 mm
1-1016	Flexibler Markraumböhrer	9,5 mm
1-1018	Flexibler Markraumböhrer	10,0 mm
1-1020	Flexibler Markraumböhrer	10,5 mm
1-1022	Flexibler Markraumböhrer	11,0 mm
1-1024	Flexibler Markraumböhrer	11,5 mm
1-1026	Flexibler Markraumböhrer	12,0 mm
1-1028	Flexibler Markraumböhrer	12,5 mm
1-1030	Flexibler Markraumböhrer	13,0 mm
1-1032	Flexibler Markraumböhrer	13,5 mm
1-1034	Flexibler Markraumböhrer	14,0 mm
1-1036	Flexibler Markraumböhrer	14,5 mm
1-1038	Flexibler Markraumböhrer	15,0 mm
1-1040	Flexibler Markraumböhrer	15,5 mm
1-1042	Flexibler Markraumböhrer	16,0 mm
1-1044	Flexibler Markraumböhrer	16,5 mm
1-1046	Flexibler Markraumböhrer	17,0 mm



TREU - INSTRUMENTE

1-1400 **BASIC INSTRUMENTATION SET FOR INTERLOCKING NAIL SYSTEM**
BASIS INSTRUMENTARIUMSATZ FÜR VERRIEGELUNGS-NAGELSYSTEM

1-1401 **Tray - Set for 1-1400 (3 pieces) Graphic Case**
Siebschaleneinsatz für 1-1400 (3 Stück)





TREU = INSTRUMENTE

Listing: Basic Instruments for 1-1400

Liste: Basis Instrumente für 1-1400

1-1401	Tray-Set for 1-1400 (3 pieces)	1-1401	Siebschaleneinsatz für 1-1400 (3 Stück)
1-1850	Universal Socket Wrench	1-1850	Kardanschlüssel SW 17
1-1849	Hex Driver (non cannulated) for 4.5 mm and 5.0 mm V - Screws	1-1849	Hexagonaler Schraubendreher (nicht kannuliert) für 4,5 mm und 5,0 mm V - Schrauben
1-1851	Hex Driver (cannulated) for 6.4 mm Solid and Cannulated Locking Bolts	1-1851	Hexagonaler Schraubendreher (kannuliert) für 6,4 mm, - kannulierte 6,4 mm V - Bolzen
1-1854	Medullary Exchange Tube	1-1854	Wechsel Tube
1-1856	Internal Fracture Alignment Device	1-1856	Internes Ausrichtungsinstrument
1-1858	Depth Gauge	1-1858	Tiefenmesser
1-1869	Twist Drill, ø 3.5 mm, Length 305 mm	1-1869	Kalibrierter Bohrer, ø 3,5 mm, Länge 305 mm
1-1870	Twist Drill, ø 4.0 mm, Length 305 mm	1-1870	Kalibrierter Bohrer, ø 4,0 mm, Länge 305 mm
1-1871	Twist Drill, ø 4.8 mm, Length 305 mm	1-1871	Kalibrierter Bohrer, ø 4,8 mm, Länge 305 mm
1-1875	Trocar ø 4.0 mm x 240 mm	1-1875	Trokar ø 4,0 mm x 240 mm
1-1878	Guide Rod for Cannulated Screws, ø 1.8 mm x 350 mm (10 pieces)	1-1878	Bohrdraht für kannulierte Schrauben, ø 1,8 mm x 350 mm (10 Stück)
1-1882	Open End Wrench SW 17 / 14 (2 pieces)	1-1882	Gabelschlüssel SW 17 / 14 (2 Stück)
1-1888	Reamer / Nail and Screw Template	1-1888	Fräser / Bohrer / Nagel und Schraubenschablone
1-1890	Nail Length Gauge	1-1890	Nagel - Längenmeßlehre
1-1892	Supine Driver	1-1892	Einschläger
9-086	Handle with Jakobs Chuck	9-086	Handstück mit Jakobsfutter
1-1896	Tibial Proximal Device	1-1896	Proximal Tibia - Zielgerät
1-1900	Skin Protector	1-1900	Hautschutz
1-1901	Tapered Reamer, cannulated ø 15.5 mm for Femoral MFN. (DNS.) - Nails	1-1901	Kannulierter Formfräser ø 15,5 mm für Femur MFN. (DNS.) - Nägel
1-1902	Curved Awl	1-1902	Gebogene Öffnungsahle
1-1906	Tapered Reamer, cannulated ø 13.5 mm for Femoral / DNS. - U/R Nails	1-1906	Kannulierter Formfräser ø 13,5 mm für Femur / DNS. - U/R Nägel
1-1910	Green Drill Sleeve ø 8.0 mm	1-1910	Bohrhülse Grün ø 8,0 mm
1-1911	Silver Drill Sleeve ø 2.1 mm	1-1911	Bohrhülse Silber ø 2,1 mm
1-1913	Blue Drill Sleeve ø 4.8 mm	1-1913	Bohrhülse Blau ø 4,8 mm
1-1914	Gold Drill Sleeve ø 4.0 mm	1-1914	Bohrhülse Gold ø 4,0 mm
1-1915	Black Drill Sleeve ø 3.5 mm	1-1915	Bohrhülse Schwarz ø 3,5 mm
1-1922	Slide Hammer	1-1922	Gleithammer
1-1923	Tibial Extractor Bolt	1-1923	Tibia Extraktionsschraube
1-1966	Femoral and DNS. / MFN. - Femoral Nail, Extractor Bolt	1-1966	Femur und DNS. / MFN. - Femur Nagel, Extraktionsschraube
1-1891	Length Gauge DNS. / MFN.	1-1891	Längenmesslehre DNS. / MFN.
1-3332	Nail Adapter Bolt for Drill Guide 1-3333 DNS.	1-3332	Nageladaptionsschraube für Zielgerät 1-3333
1-3333	Universal Proximal Device for Femoral and DNS. / MFN. - Femoral Nails	1-3333	Universales Proximalzielgerät für Femur und DNS. / MFN. - Femur Nägel
1-3335	Twist Drill Cannulated ø 4.0 mm, Length 305 mm	1-3335	Kannulierter Bohrer ø 4,0 mm, Länge 305 mm
1-3336	Twist Drill Cannulated ø 4.8 mm, Length 305 mm	1-3336	Kannulierter Bohrer ø 4,8 mm, Length 305 mm
1-3337	DNS. / MFN. - Reamer ø 6.4 mm - Proximal	1-3337	DNS. / MFN. - Fräser ø 6,4 mm - Proximal

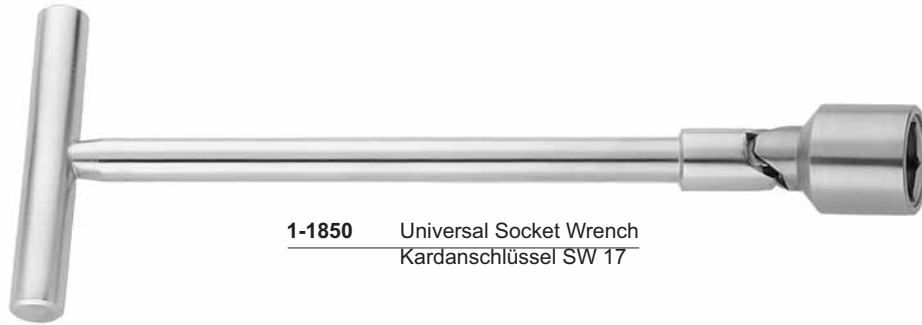


15-1026 Container for 1-1400
Sterilbehälter für 1-1400

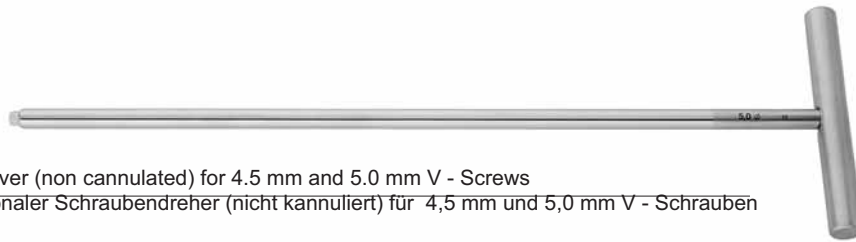
(recommended)



TREU = INSTRUMENTE



1-1850 Universal Socket Wrench
Kardanschlüssel SW 17



1-1849 Hex Driver (non cannulated) for 4.5 mm and 5.0 mm V - Screws
Hexagonaler Schraubendreher (nicht kannuliert) für 4,5 mm und 5,0 mm V - Schrauben

1-1851 Hex Driver (cannulated) for 6.4 mm Solid and Cannulated Locking Bolts
Hexagonaler Schraubendreher (kannuliert) für 6,4 mm, - kannulierte 6,4 mm V - Bolzen



1-1854 Medullary Exchange Tube
Wechsel Tube



1-1856 Internal Fracture Alignment Device
Internes Ausrichtungsinstrument



1-1858 Depth Gauge
Tiefenmesser



TREU = INSTRUMENTE



Drill Bits Cannulated hole \varnothing 2.1 mm Length 150 mm (recommended)
Kannulierter Bohrer Bohrung \varnothing 2,1 mm Länge 150 mm (empfohlen)

Cat. No.	\varnothing mm
1-1861	3,5
1-1862	4,0
1-1863	4,8



Drill Bits Length 150 mm (recommended)
Bohrer Länge 150 mm (empfohlen)

Cat. No.	\varnothing mm
1-1864	2,7
1-1865	3,5
1-1866	4,0
1-1867	4,8



Twist Drills Length 305 mm
Kalibrierter Bohrer Länge 305 mm

Cat. No.	\varnothing mm
1-1869	3,5
1-1870	4,0
1-1871	4,8



1-1875 Trocar \varnothing 4.0 mm x 240 mm
Trokar \varnothing 4,0 mm x 240 mm



1-1876 Tip Threaded Guide Pin \varnothing 3.2 mm x 305 mm (recommended)
Bohrdraht mit Gewinde \varnothing 3,2 mm x 305 mm (empfohlen)



1-1878 Guide Rod for Cannulated Screws, \varnothing 1,8 mm x 350 mm
Bohrdraht für kannulierte Schrauben, \varnothing 1,8 mm x 350 mm



TREU = INSTRUMENTE

Guide Rods with Spade Tip are only for Flexible Medullary Reamers Führungsdrähte

1-1872 Guide Rod for IM Nail, \varnothing 2,4 mm, Length 900 mm
Führungsdraht \varnothing 2,4 mm, Länge 900 mm

1-1873 Guide Rod for IM Nail, \varnothing 3,0 mm, Length 900 mm
Führungsdraht \varnothing 3,0 mm, Länge 900 mm

1-1874 Guide Rod for Reamer, \varnothing 2,0 mm, Length 900 mm with \varnothing 3,0 mm Spade Tip
Führungsdraht mit Olive \varnothing 2,0 mm, Länge 900 mm

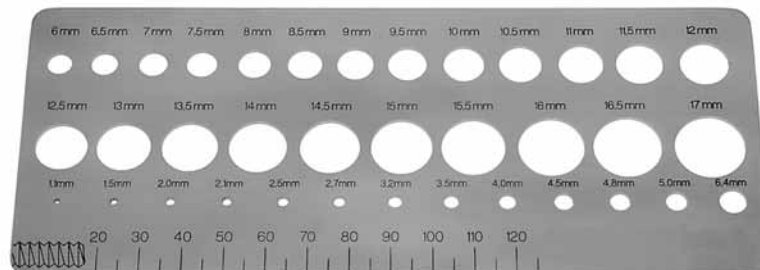
1-1879 Guide Rod for Reamer, \varnothing 3,0 mm, Length 900 mm with \varnothing 4,0 mm Spade Tip
Führungsdraht mit Olive \varnothing 3,0 mm, Länge 900 mm

1-1880 Guide Rod, \varnothing 3,0 mm, Length 900 mm with curved Tip
Führungsdraht gebogen \varnothing 3,0 mm, Länge 900 mm

1-1883 Guide Rod, \varnothing 2,4 mm, Length 900 mm with curved Tip
Führungsdraht gebogen \varnothing 2,4 mm, Länge 900 mm



1-1882 Open End Wrench 17 / 14 mm
Gabelschlüssel 17 / 14 mm



1-1888 Reamer / Nail and Screw Template
Fräser / Bohrer / Nagel und Schraubenschablone



TREU - INSTRUMENTE



1-1890 Nail Length Gauge
Nagel - Längenmeßlehre



1-1892 Supine Driver
Einschläger



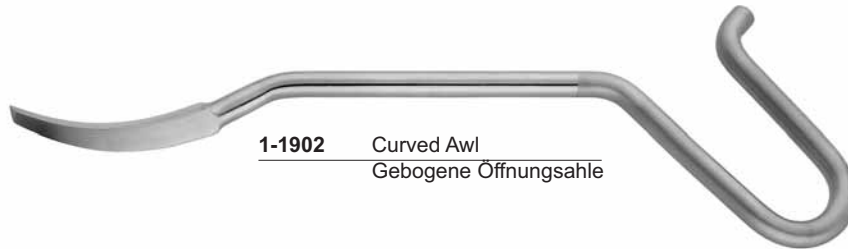
9-086 Handle with Jakobs Chuck
Handstück mit Jakobsfutter



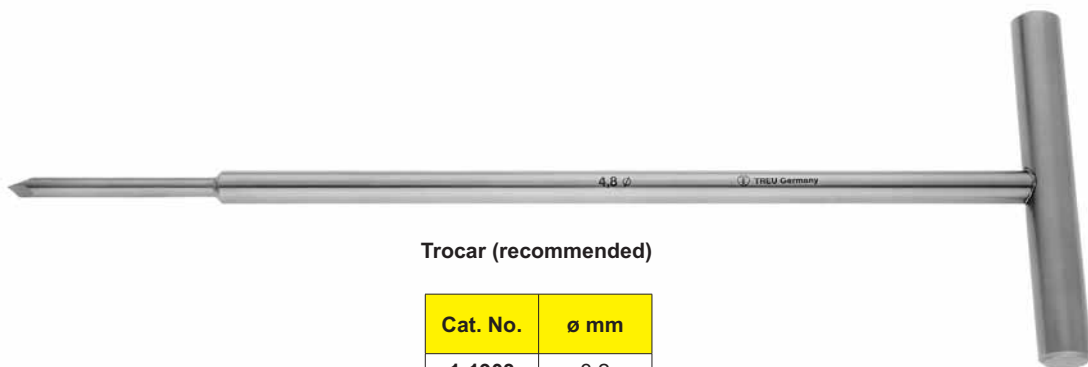
1-1900 Skin Protector
Hautschutz



TREU = INSTRUMENTE



1-1902 Curved Awl
Gebogene Öffnungssahle



Trocar (recommended)

Cat. No.	ø mm
1-1903	3,2
1-1904	4,0
1-1905	4,8
1-1907	8,0



1-1901 Tapered Reamer, cannulated ø 15.5 mm for Femoral MFN. / DNS. - U/R Nails
Kannulierter Formfräser ø 15,5 mm für Femur MFN. / DNS.- U/R Nägel

1-1906 Tapered Reamer, cannulated ø 13.5 mm for Femoral MFN. / DNS. - U/R Nails
Kannulierter Formfräser ø 13,5 mm für Femur MFN. / DNS.- U/R Nägel



1-3332 Nail Adapter Bolt for Drill Guide 1-3333 MFN. / DNS.
Nageladaptionsschraube für Zielgerät 1-3333 MFN. / DNS.



TREU = INSTRUMENTE



1-1910 Green Drill Sleeve ø 8.0 mm
Bohrhülse Grün ø 8,0 mm



1-1911 Silver Drill Sleeve ø 2.1 mm
Bohrhülse Silber ø 2,1 mm



1-1913 Blue Drill Sleeve ø 4.8 mm
Bohrhülse Blau ø 4,8 mm



1-1914 Gold Drill Sleeve ø 4.0 mm
Bohrhülse Gold ø 4,0 mm



1-1915 Black Drill Sleeve ø 3.5 mm
Bohrhülse Schwarz ø 3,5 mm



1-1922 Slide Hammer
Gleithammer



1-1923 Tibial Extractor Bolt
Tibia Extraktionsschraube



1-1966 Femoral and DNS. - Femoral Nail, Extractor Bolt
Femur und DNS.-Femur Nagel, Extraktionsschraube



TREU - INSTRUMENTE



1-1891 Length Gauge MFN. / DNS.
Längenmesslehre MFN. / DNS.



1-3332 Nail Adapter Bolt for Drill Guide 1-3333 MFN. / DNS.
Nageladaptionsschraube für Zielgerät 1-3333 MFN. / DNS.



1-3333 Universal Proximal Device for Femoral and MFN. / DNS. - Femoral Nails
Universales Proximalzielgerät für Femur und MFN. / DNS.- Femur Nägel



1-3335 MFN. / DNS. Twist Drill cannulated \varnothing 4.0 mm, Length 305 mm
MFN. / DNS. Kannulierter Bohrer \varnothing 4,0 mm, Länge 305 mm

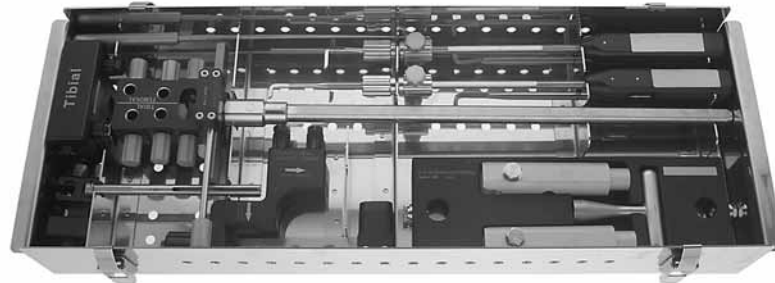
1-3336 MFN. / DNS. Twist Drill cannulated \varnothing 4.8 mm, Length 305 mm
MFN. / DNS. Kannulierter Bohrer \varnothing 4,8 mm, Length 305 mm



1-3337 MFN. / DNS. - Reamer \varnothing 6.4 mm
MFN. / DNS. - Fräser \varnothing 6,4 mm



TREU - INSTRUMENTE



1-1980 INSTRUMENT SET FOR DISTAL DEVICE EQUIPMENT

SET LISTING:

1-1962	Tray for Distal Device Equipment (Steel Tray include Lid)	
1-1950	Distal Targeting Device	1 pcs.
1-1951	Outrigger	1 pcs.
1-1956	Wrench, hexagonal 14 mm	1 pcs.
1-1960	Pre - Adjustment Device	1 pcs.
1-1930	Tibial Adapter Block	1 pcs.
1-1933	Femoral Adapter Block	1 pcs.
1-1963	Fixation Hook - 20 mm	1 pcs.
1-1964	Fixation Hook - 15 mm	1 pcs.
1-1965	Silver Drill Sleeve 8 mm	1 pcs.
1-1967	Hook Awl - 15 mm for 1-1964	1 pcs.
1-1968	Hook Awl - 20 mm for 1-1963	1 pcs.

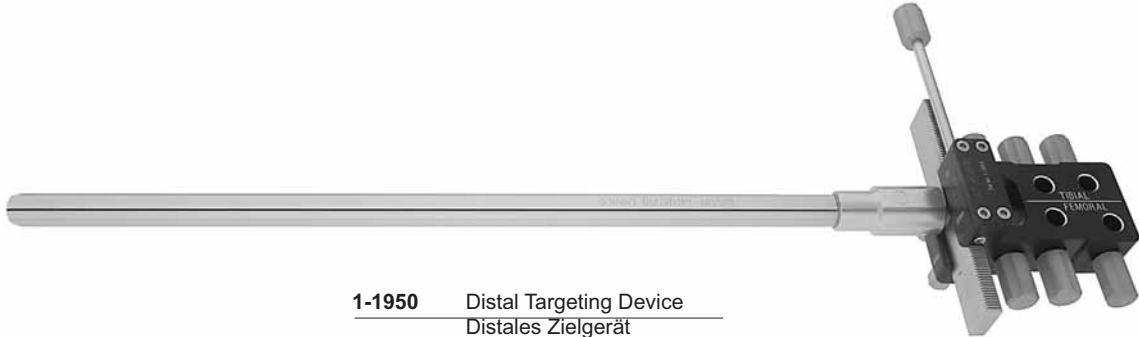
1-1980 INSTRUMENTENSATZ FÜR DISTALES ZIELGERÄT MIT ZUBEHÖR

SATZLISTE:

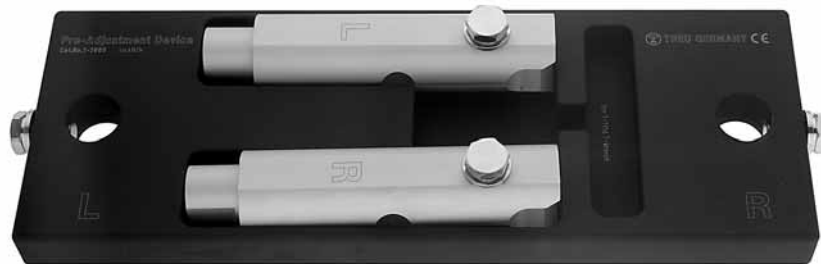
1-1962	Sieb für distales Zielgerät mit Zubehör (Stahlsieb mit Deckel)	
1-1950	Distales Zielgerät	1 Stück
1-1951	Haken - Arm	1 Stück
1-1956	Schlüssel SW 14	1 Stück
1-1960	Voreinstellgerät	1 Stück
1-1930	Tibia Adapter Block	1 Stück
1-1933	MFN. / DNS. / Femur Adapter Block	1 Stück
1-1963	Fixationshaken - 20 mm	1 Stück
1-1964	Fixationshaken - 15 mm	1 Stück
1-1965	Bohrhülse Siver 8 mm	1 Stück
1-1967	Hakenahle - 15 mm für 1-1964	1 Stück
1-1968	Hakenahle - 20 mm für 1-1963	1 Stück



TREU - INSTRUMENTE



1-1950 Distal Targeting Device
Distales Zielgerät



1-1960 Pre - Adjustment Device
Voreinstellgerät



1-1930 Tibial Adapter Block
Tibia Adapter Block



1-1933 Femoral MFN. / DNS. - Adapter
Femur MFN. / DNS. - Adapter



TREU - INSTRUMENTE



1-1951 Outrigger
Haken - Arm



1-1956 Wrench, hexagonal 14 mm
Schlüssel 14 mm



1-1963 Fixation Hook - 20 mm
Fixationshaken - 20 mm
1-1964 Fixation Hook - 15 mm
Fixationshaken - 15 mm



1-1965 Silver Drill Sleeve 8 mm
Bohrhülse Silber 8 mm



1-1967 Hook Awl for 1-1964 - 15 mm
Hakenahle für 1-1964 - 15 mm
1-1968 Hook Awl for 1-1963 - 20 mm
Hakenahle für 1-1963 - 20 mm



TREU = INSTRUMENTE

NEW

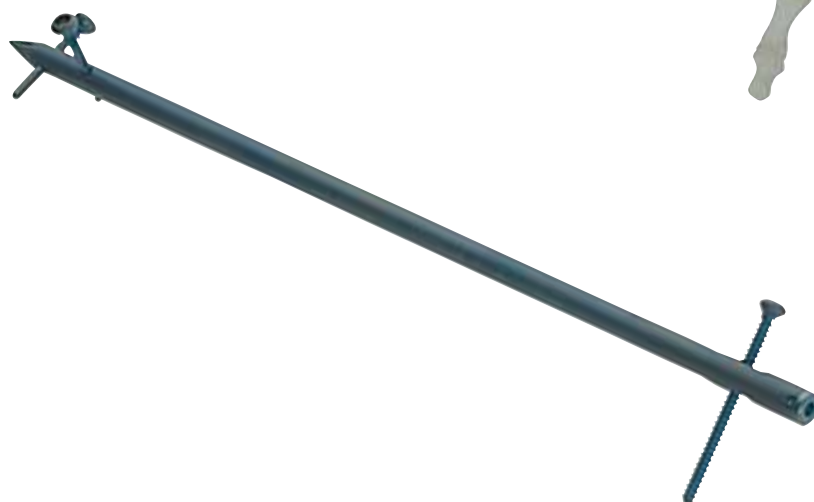
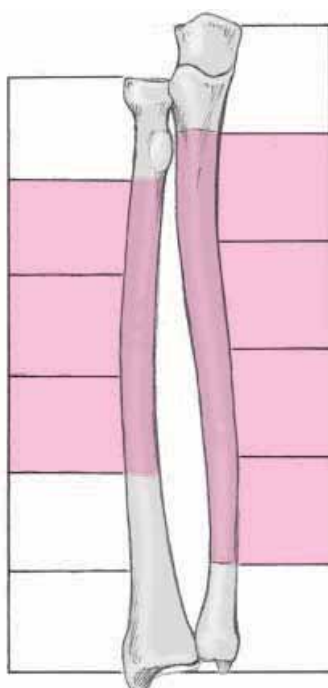


TREU = INSTRUMENTE

**WÜRZBURGER
ULNA/RADIUS-NAGEL
ULNA/RADIUS-NAIL**

Abbildung 1
Nagelbarer Bereich
von Radius und Ulna:
zweites bis viertes
RADIUSsechstel und
zweites bis fünftes
Ulna- sechstel.

Figure 1
Closed or open frac-
tures between the se-
cond and fourth sixth
of the radius and se-
cond to fifth sixth of
ulna can be treated
with the nail.



Rev: 071006



TREU = INSTRUMENTE



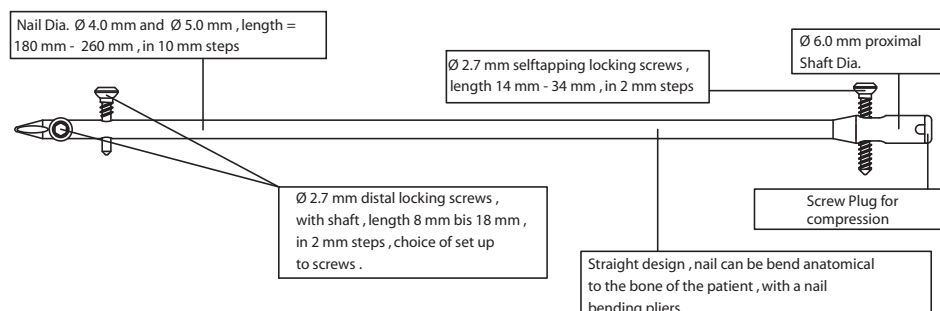
TREU = INSTRUMENTE

TITAN Ulna / Radius Nail Implants: Titan DIN ISO 5832-3



Titanium Ulna / Radius Nails Dia. 4.0 mm		
Cat. No.	Dia.	Length
1-3601	ø 4.0 mm	180 mm
1-3602	ø 4.0 mm	190 mm
1-3603	ø 4.0 mm	200 mm
1-3604	ø 4.0 mm	210 mm
1-3605	ø 4.0 mm	220 mm
1-3606	ø 4.0 mm	230 mm
1-3607	ø 4.0 mm	240 mm
1-3608	ø 4.0 mm	250 mm
1-3609	ø 4.0 mm	260 mm
Titanium Ulna / Radius Nails Dia. 5.0 mm		
Cat. No.	Dia.	Length
1-3611	ø 5.0 mm	180 mm
1-3612	ø 5.0 mm	190 mm
1-3613	ø 5.0 mm	200 mm
1-3614	ø 5.0 mm	210 mm
1-3615	ø 5.0 mm	220 mm
1-3616	ø 5.0 mm	230 mm
1-3617	ø 5.0 mm	240 mm
1-3618	ø 5.0 mm	250 mm
1-3619	ø 5.0 mm	260 mm

Product Description





TREU = INSTRUMENTE

TITAN Ulna / Radius Proximal Screw Implants: Titan DIN ISO 5832-3

Titan Proximal Locking Screws Dia. 2.7 mm for Ulna Radius Nail System		
Cat. No.	Dia.	Length
1-3650	ø 2,7 mm	14 mm
1-3651	ø 2,7 mm	16 mm
1-3652	ø 2,7 mm	18 mm
1-3653	ø 2,7 mm	20 mm
1-3654	ø 2,7 mm	22 mm
1-3655	ø 2,7 mm	24 mm
1-3656	ø 2,7 mm	26 mm
1-3657	ø 2,7 mm	28 mm
1-3658	ø 2,7 mm	30 mm
1-3659	ø 2,7 mm	32 mm
1-3660	ø 2,7 mm	34 mm



TITAN Ulna / Radius Distal Screw Implants: Titan DIN ISO 5832-3

Titan Distal Locking Screws Dia. 2.7 mm / Unicortical Dia. 1.9 mm for Ulna Radius Nail System		
Cat. No.	Dia.	Length
1-3670	ø 2,7 mm / 1,9 mm	8 mm
1-3671	ø 2,7 mm / 1,9 mm	10 mm
1-3672	ø 2,7 mm / 1,9 mm	12 mm
1-3673	ø 2,7 mm / 1,9 mm	14 mm
1-3674	ø 2,7 mm / 1,9 mm	16 mm
1-3675	ø 2,7 mm / 1,9 mm	18 mm



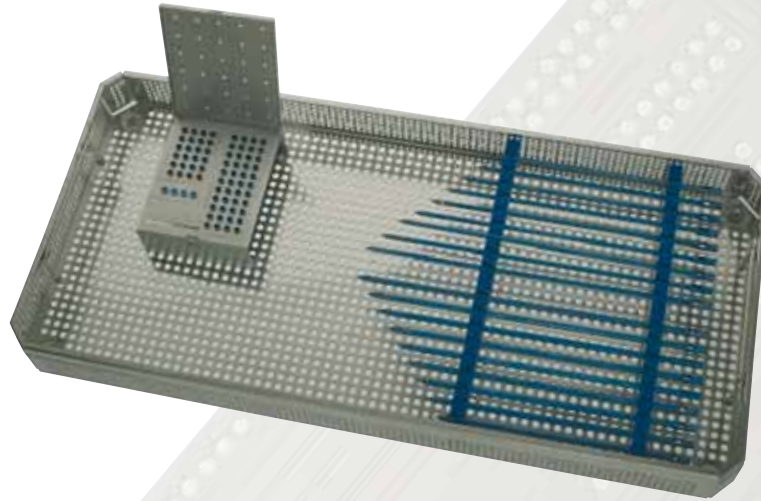
1-3680
1-3681

Screw Plug for Compression
Screw Plug, standard without compression



TREU = INSTRUMENTE

Cat.No.1-3752 Implant Set for Ulna / Radius Nail System



SET LISTING

1-3752 Implant Set for Ulna / Radius Nail System:
1-3750 Tray (empty) for Implant Set Ulna / Radius Nail System -1- Pcs.

Titanium Ulna / Radius Nails Dia. 4.0 mm			
Cat. No.	Dia.	Length	Pcs.:
1-3601	ø 4.0 mm	180 mm	-1-
1-3602	ø 4.0 mm	190 mm	-1-
1-3603	ø 4.0 mm	200 mm	-1-
1-3604	ø 4.0 mm	210 mm	-1-
1-3605	ø 4.0 mm	220 mm	-1-
1-3606	ø 4.0 mm	230 mm	-1-
1-3607	ø 4.0 mm	240 mm	-1-
1-3608	ø 4.0 mm	250 mm	-1-
1-3609	ø 4.0 mm	260 mm	-1-
Titanium Ulna / Radius Nails Dia. 5.0 mm			
Cat. No.	Dia.	Length	Pec.
1-3611	ø 5.0 mm	180 mm	-1-
1-3612	ø 5.0 mm	190 mm	-1-
1-3613	ø 5.0 mm	200 mm	-1-
1-3614	ø 5.0 mm	210 mm	-1-
1-3615	ø 5.0 mm	220 mm	-1-
1-3616	ø 5.0 mm	230 mm	-1-
1-3617	ø 5.0 mm	240 mm	-1-
1-3618	ø 5.0 mm	250 mm	-1-
1-3619	ø 5.0 mm	260 mm	-1-

Titan Proximal Locking Screws Dia. 2.7 mm for Ulna Radius Nail System			
Cat. No.	Dia.	Length	Pec.
1-3650	2,7 mm	14 mm	-4-
1-3651	2,7 mm	16 mm	-4-
1-3652	2,7 mm	18 mm	-4-
1-3653	2,7 mm	20 mm	-4-
1-3654	2,7 mm	22 mm	-4-
1-3655	2,7 mm	24 mm	-4-
1-3656	2,7 mm	26 mm	-4-
1-3657	2,7 mm	28 mm	-4-
1-3658	2,7 mm	30 mm	-4-
1-3659	2,7 mm	32 mm	-4-
1-3660	2,7 mm	34 mm	-4-
Titan Distal Locking Screws Dia. 2.7 mm for Ulna Radius Nail System			
Cat. No.	Dia.	Length	Pec.
1-3670	ø 2,7 mm / 1,9 mm	8 mm	-4-
1-3671	ø 2,7 mm / 1,9 mm	10 mm	-4-
1-3672	ø 2,7 mm / 1,9 mm	12 mm	-4-
1-3673	ø 2,7 mm / 1,9 mm	14 mm	-4-
1-3674	ø 2,7 mm / 1,9 mm	16 mm	-4-
1-3675	ø 2,7 mm / 1,9 mm	18 mm	-4-
1-3680	Screw Plug for Compression		-4-



Recommended Sterilization Container
(Are not included in the Set):

15-1010 Sterilization Container

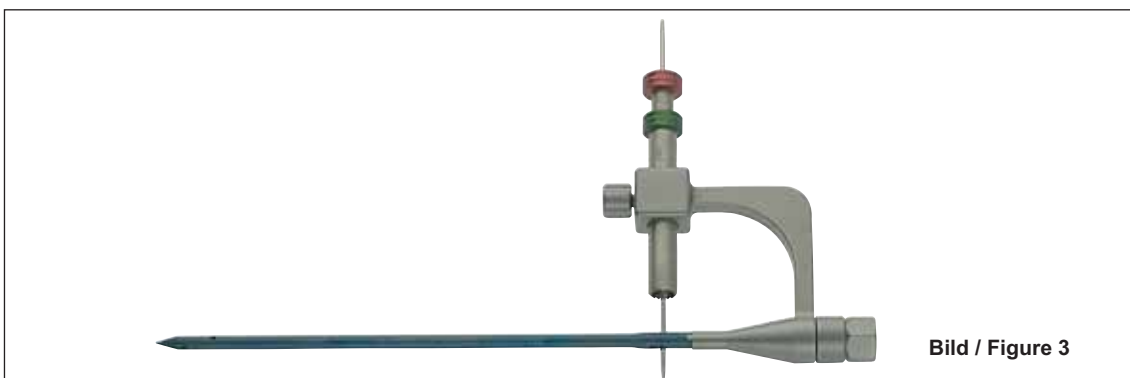
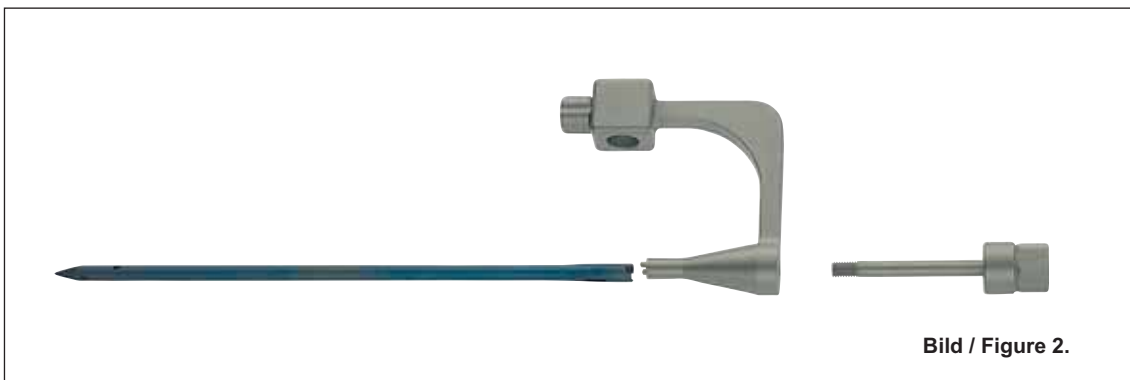
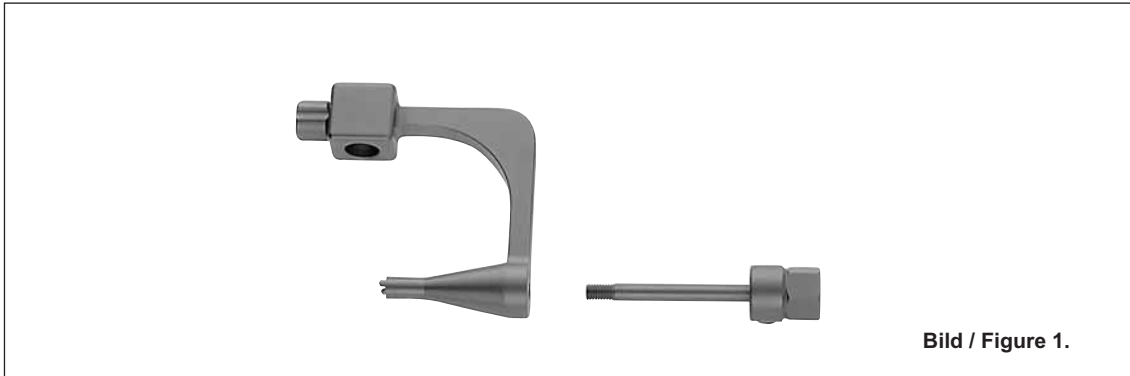


TREU = INSTRUMENTE

Montage für Proximales Zielgerät mit Ulna / Radius Verriegelungsnagel

Bildbeschreibung der Anwendung Bild 1. / 2. / 3. :

Figure Discription for use Fig. 1. / 2. / 3. :



Bemerkung für Nagelextraktion:

Für Nagelextraktion, zuerst die Verriegelungsschrauben und Kompressionsschraube entfernen, anschließend Adaptionsschraube von Zielgerät direkt (ohne Zielbügel) in das proximale Nagelgewinde einschrauben, danach Gleithammer mit Adaptionsschraube verbinden und den Nagel entfernen!

Note for Nail extraction:

For nail extraction, first remove the locking screws and the compression screw, for the next step you connect the adapter bolt from the targeting device (without the target device) with the proximal nail thread, also as well you connect the sliding hammer with the adapter bolt to remove the nail.



TREU = INSTRUMENTE

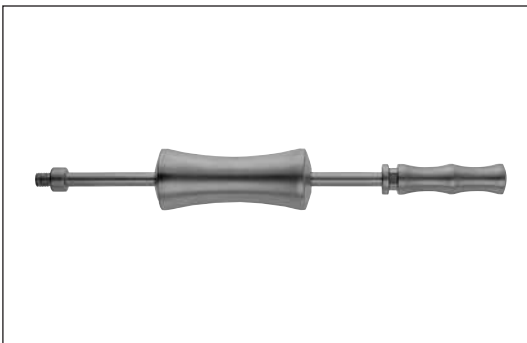
Instruments for Ulna / Radius Nail System:



1-3700 Proximal Targeting Device
including Adapter Bolt



1-3702 Green Drill Sleeve 8.0 mm



1-3701 Slide Hammer



1-3703 Pink Drill Sleeve Dia. 1.9 mm



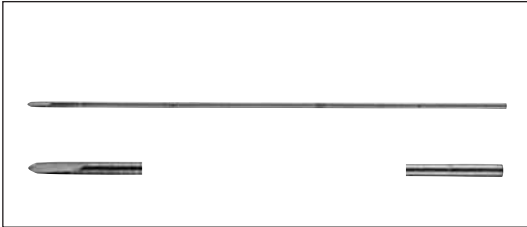
1-3705 Distal Drill Sleeve Dia. 8.0 mm



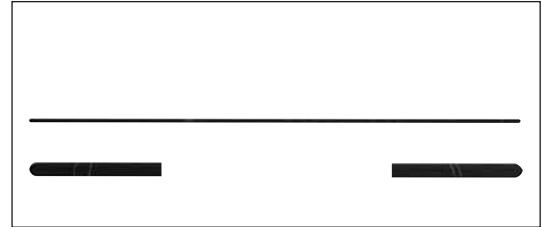
1-3704 Radiolucent Drill Sleeve Dia. 1.9 mm



Instruments for Ulna / Radius Nail System:



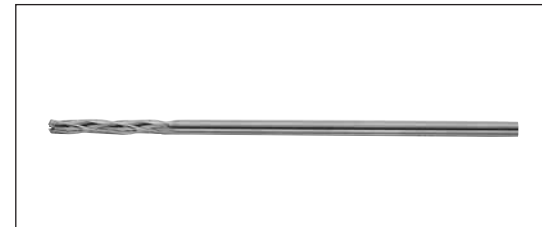
1-3706 Drill Wire Dia. 1.9 mm x Length 140 mm



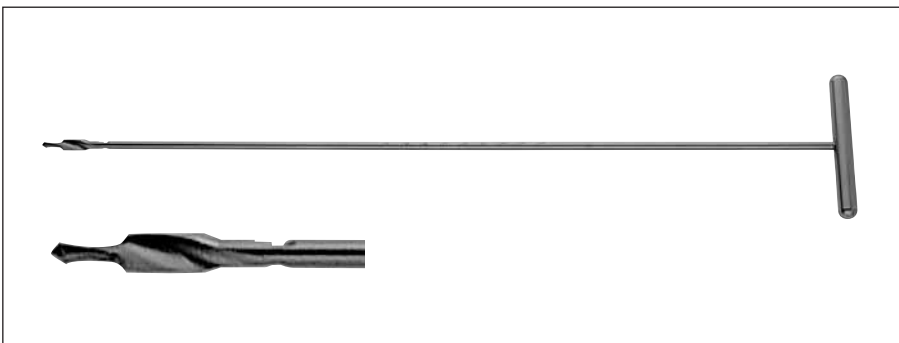
1-3707 Bending Nail Template



1-3708 Screw Length Gauge

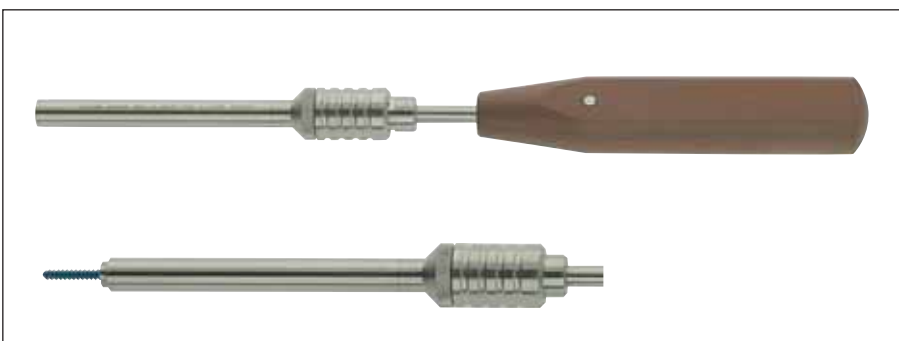


1-3709 Cannulated Reamer
Dia. 6.0 mm x Length 150 mm



Reamer with T-Handle

1-3710	Dia. 3.0 mm
1-3711	Dia. 3.5 mm
1-3712	Dia. 4.0 mm
1-3713	Dia. 4.5 mm
1-3714	Dia. 5.0 mm
1-3715	Dia. 6.0 mm



1-3716 Screw Driver Hexagonal 2.5 mm
with Selfholding Sleeve



TREU = INSTRUMENTE

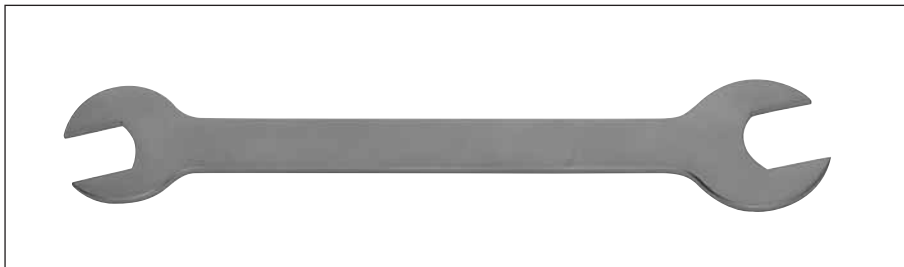
Instruments for Ulna / Radius Nail System:



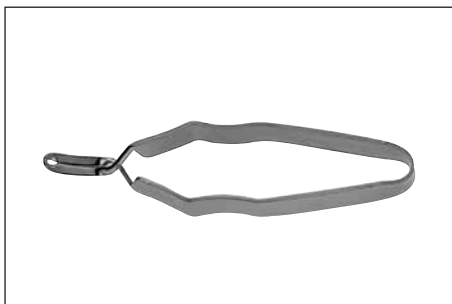
1-3717 Nail and Rod Bending Instrument



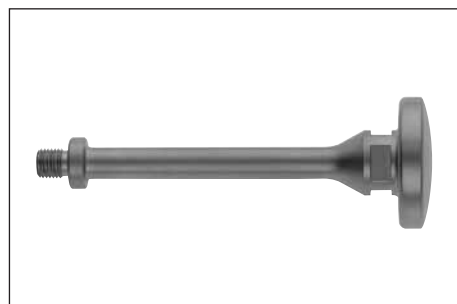
9-142 Screw Driver Hexagonal 2.5 mm



1-1882 Open End Wrench 17/14 mm



4-184 Screw Forceps



1-3718 Supine Driver for Ulna / Radius Nail

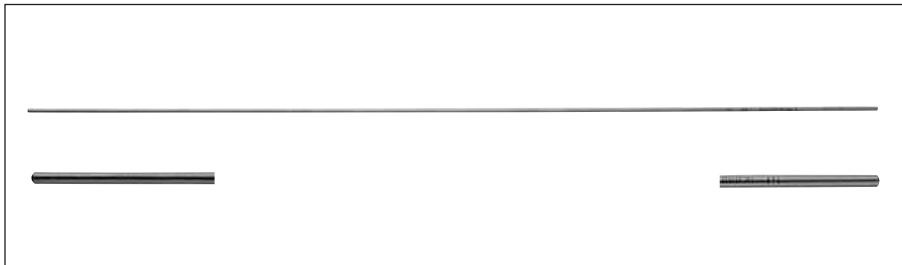


TREU = INSTRUMENTE

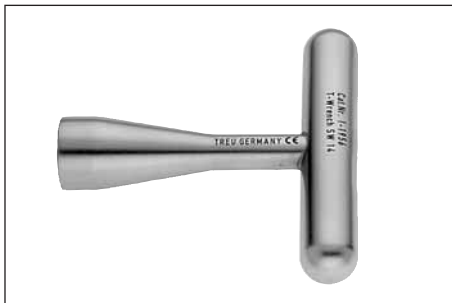
Instruments for Ulna / Radius Nail System:



9-014 Drill Bit AO shaft Dia. 2.0 mm
Recommended Instrument, is not included in the Set **1-3760**



1-2040 Guide Wire Dia. 2.4 mm x Length 500 mm



1-1956 T-Wrench within Hexagonal 14 mm
Recommended Instrument, is not included in the set **1-3760**

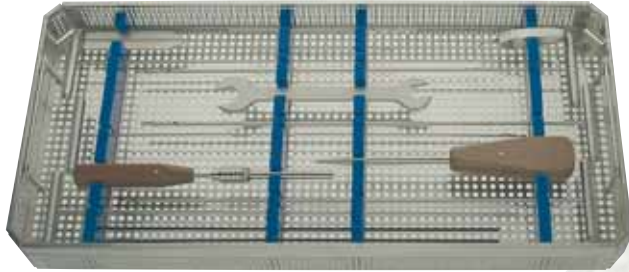


1-5310 Trocar 5.0 mm
1-5312 Trocar 3.5 mm
Recommended Instrument, is not included in the Set **1-3760**



TREU = INSTRUMENTE

Instrument Set for Ulna / Radius Nail System



Recommended Sterilization Container
(Are not included in the Set):

15-1013 Sterilization Container



SET LISTING

1-3760 Instrument Set for Ulna / Radius Nail System

Cat. No.	Description	Pcs.:
1-3755	Tray Set (2 Trays empty) Tray 1. / Tray 2. for Instrument Set	-1-
1-3700	Prox. Targeting Device, include Adapter Bolt	-1-
1-3701	Slide Hammer	-1-
1-3702	Green Drill Sleeve Dia. 8.0 mm	-1-
1-3703	Pink Drill Sleeve Dia. 1.9 mm	-1-
1-3704	Radiolucent Drill Sleeve Dia. 1.9 mm	-1-
1-3705	Distal Drill Sleeve Dia. 8.0mm	-1-
1-3706	Drill Wire Dia. 1.9 mm x Length 140 mm	-2-
1-3707	Bending Nail Template	-2-
1-3709	Cannulated Reamer Dia. 6.0 mm x Length 15 mm	-1-
1-3710	Reamer with T-Handle Dia. 3.0 mm	-1-
1-3711	Reamer with T-Handle Dia. 3.5 mm	-1-
1-3712	Reamer with T-Handle Dia. 4.0 mm	-1-
1-3713	Reamer with T-Handle Dia. 4.5 mm	-1-
1-3714	Reamer with T-Handle Dia. 5.0 mm	-1-
1-3715	Reamer with T-Handle Dia. 6.0 mm	-1-
1-3716	Screw Driver Hexagonal 2.5 mm with Selfholding Sleeve	-1-
1-3717	Nail and Rod Bending Instrument	-1-
1-1882	Open End Wrench 17 / 14 mm	-1-
1-2040	Guide Wire Dia. 2.4 mm x Length 500 mm	-1-
9-142	Screw Driver Hexagonal 2.5 mm	-1-
4-184	Screw Forceps	-1-



TREU = INSTRUMENTE