



Pelvic - Instruments and Implants



TREU = INSTRUMENTE

Pelvic Basis Set



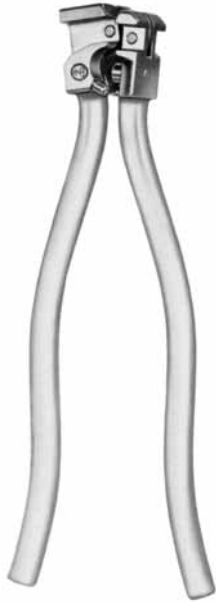
T 1700
15-1010
15-3012

Pelvic Basis Set
Container
Tray

9-021	Drill Bit 3.2 mm 195 mm	2 pieces
9-027	Drill Bit 4.5 mm 195 mm	2 piece
9-074	Taps 3.5 mm	1 piece
9-078	Taps 4.5 mm	1 piece
9-142	Screw Drivers 2.5 mm	1 piece
9-144	Screw Drivers 3.5 mm	1 piece
9-114	Depth Gauge	1 piece
17-1400	Bending Forceps	1 piece
17-1424	Bending Templates for curved Plates	1 piece
17-1426	Bending Templates for straight Plates	1 piece
17-1402	Bending Iron	1 piece



TREU - INSTRUMENTE



17-1400
Bending Pliers for
2.7 mm and 3.5 mm Plates



- 17-1420** Bending Templates
for curved Reconstruction Plates 4.5 mm
- 17-1422** Bending Templates
for straight Reconstruction Plates 4.5 mm
- 17-1424** Bending Templates
for curved Reconstruction Plates 3.5 mm
- 17-1426** Bending Templates
for straight Reconstruction Plates 3.5 mm



17-1402
Bending Iron
for 3.5 mm and 4.5 mm Plates



- 17-1430** Osteotomy Chisels 304 mm
15 mm
- 17-1432** Osteotomy Chisels 304 mm
20 mm



TREU = INSTRUMENTE

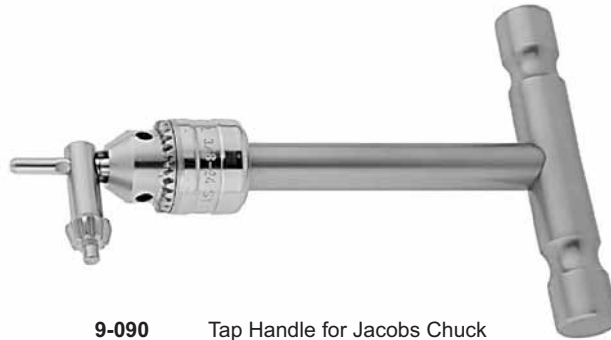
Pelvic Basis Set



T 1710	Pelvic Basis Set	
15-1010	Container	
15-3012	Tray	
9-090	Tap Handle	1 piece
11-1304	Sharp Bone Hook	1 piece
9-676	Pelvic Retractor	1 piece
9-521	Pelvic Repositions Forceps 190 mm	1 piece
9-522	Pelvic Repositions Forceps 260 mm	1 piece
9-604	Reduction Forceps 200 mm	1 piece
17-1550	Pelvic Repositions Forpceps 190 mm	1 piece
17-1554	Pelvic Repositions Forpceps 230 mm	1 piece
17-1552	Pelvic Repositions Forpceps 250 mm	1 piece
17-1556	Pelvic Repositions Forpceps 400 mm	1 piece
17-1558	Pelvic Repositions Forpceps 400 mm	1 piece
17-1600	Straight Ball Spike	1 piece
8-1516	Schanze ø 6 mm 200 mm	4 pieces



TREU - INSTRUMENTE



9-090 Tap Handle for Jacobs Chuck



11-4604 Sharp Bone Hook



9-676
long wide tip for Pelvic
Surgery, width 24 mm



9-521 Pelvic Reposition Forceps 190 mm
for Screws 3,5 mm
9-523 Pelvic Reposition Forceps 190 mm
for Screws 4,5 mm



9-604
Reduction Forceps
with points 200 mm



TREU = INSTRUMENTE

Pelvic Instruments



17-1550
Pelvic Reposition Forceps 190 mm



17-1554
Pelvic Reposition Forceps 230 mm



17-1552 Pelvic Reposition Forceps 250 mm



TREU - INSTRUMENTE

Pelvic Instruments



17-1556
Pelvic Reposition Forceps 400 mm

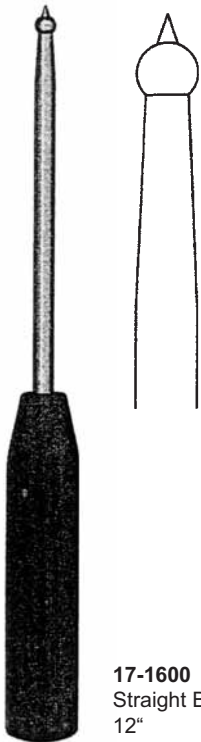


17-1558
Pelvic Reposition Forceps 400 mm



TREU - INSTRUMENTE

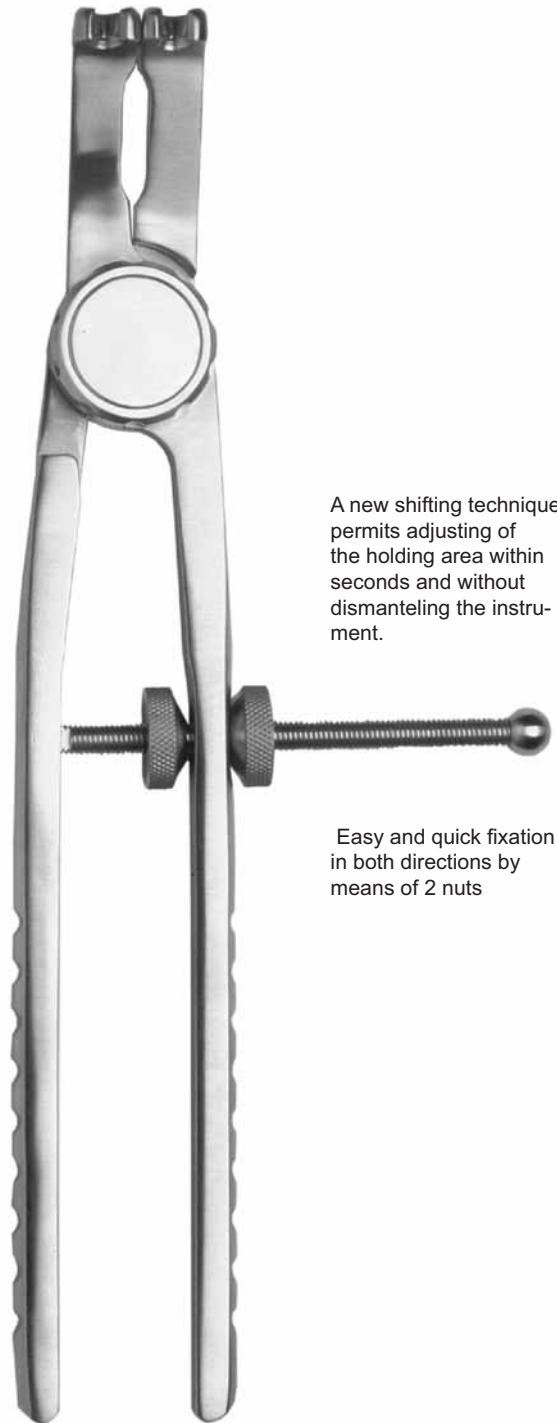
Pelvis Reposition Forceps



17-1600
Straight Ball Spike
12"



8-1516
Schanze Screws
ø 6 mm 200 mm



A new shifting technique permits adjusting of the holding area within seconds and without dismanteling the instrument.

Easy and quick fixation in both directions by means of 2 nuts

17-1404
Reposition Forceps



TREU = INSTRUMENTE

Pelvic Basis Implant Set



T 1720	Pelvic Basis Implant Set	
T 111	Container	
T 112	Tray	
T 112	Tray	
3-600	Small Platts 4.5 mm 2 holes	2 pieces
17-1100	Reconstruction Plates 3 holes	2 pieces
17-1102	Reconstruction Plates 4 holes	2 pieces
17-1122	Reconstruction Plates 14 holes	1 piece
4-270 -	Reconstruction Plates	
4-274	2 each: 5 - 6 - 7 - 8 - 9 holes	10 pieces
4-275 -	Reconstruction Plates	
4-282	1 each: 10 - 12 - 14 - 16 - 18 holes	5 piece
17-1140 -	Curved Reconstruction Plates	
17-1142	2 each: 6 - 8 holes	4 pieces
17-1144 -	Curved Reconstruction Plates	
17-1150	1 each: 10 - 12 - 14 - 16 - 18 holes	4 piece
3-1250 -	Self cutting screws 4.5 mm ø	
3-1266	each 3: 70 - 75 - 80 - 85 - 90 95 - 100 - 105 - 110 mm	27 pieces
4-1034 -	Self cutting screws 3.5 mm ø	
4-1048	each 3: 55 - 60 - 65 - 70 - 75 - 80 85 - 90 - 95 - 100 - 105 - 110 mm	36 pieces
3-415 -	Cancellous Screws 16 mm	
3-416	each 3: 115 - 120 mm	6 pieces
3-490 -	Cancellous Screws 16 mm	
3-394	each 3: 50 - 55 - 60 mm	9 pieces

*

ReconstructionPlates 3.5 are manufactured from relatively soft material. Due to their reduced stiffness,they should be use only for cerclages or adaptations. Design and softness of the material enable three-dimensional contouring with Bending Pliers 17-1400 or the Bending Iron 17-1402.

Note:Do not bend more than15°.



TREU - INSTRUMENTE

Plates for Pelvic Fractures

Reconstruction Plates - 4.5 mm

For use with 4.5 mm cortex screws. Can be bent in three dimensions with special bending irons (do not bend more than 15° between holes)



Profil: 12.0 x 2.8 mm
Distance between holes: 16.0 mm

	Length	Holes		Length	Holes	
	Steel		TITAN	Steel		TITAN
17-1100	45 mm	3	17-11000	17-1114	157 mm	10
17-1102	61 mm	4	17-11020	17-1116	173 mm	11
17-1104	77 mm	5	17-11040	17-1118	189 mm	12
17-1106	93 mm	6	17-11060	17-1120	205 mm	13
17-1108	109 mm	7	17-11080	17-1122	221 mm	14
17-1110	125 mm	8	17-11100	17-1124	237 mm	15
17-1112	141 mm	9	17-11120	17-1126	253 mm	16

Reconstruction Plates, 3.5 mm*



	Length	Holes		Length	Holes	
	Steel		TITAN	Steel		TITAN
4-270	58 mm	5	4-2700	4-278	154 mm	13
4-271	70 mm	6	4-2710	4-279	166 mm	14
4-272	82 mm	7	4-2720	4-280	178 mm	15
4-273	94 mm	8	4-2730	4-281	190 mm	16
4-274	106 mm	9	4-2740	4-282	214 mm	18
4-275	118 mm	10	4-2750	4-283	238 mm	20
4-276	130 mm	11	4-2760	4-284	262 mm	22
4-277	142 mm	12	4-2770			



Curved Reconstruction Plates - 3.5 mm

Primary Indication: Pelvic and acetabular reconstructive surgery

Profil: 10.0 x 2.8 mm
Distance between holes: 12.0 mm
Curving radius: 100.0 mm

	Length	Holes	
	Steel		TITAN
17-1140	70 mm	6	17-11400
17-1142	94 mm	8	17-11420
17-1144	118 mm	10	17-11440
17-1146	142 mm	12	17-11460
17-1148	166 mm	14	17-11480
17-1150	190 mm	16	17-11500
17-1152	214 mm	18	17-11520

For Operation of symphysis-scission

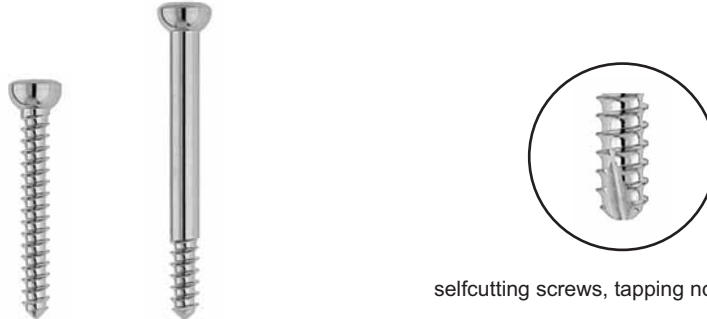


3-600 2 Holes



TREU = INSTRUMENTE

Bone Screws, selftapping



selfcutting screws, tapping not needed

Dia of thread	4.5 mm	4.5 mm
Dia of core	3.0 mm	
Dia of shaft		4.5 mm
Dia of head	8.0 mm	8.0 mm
Length		
14 mm	3-1200	
16 mm	3-1202	
18 mm	3-1204	
20 mm	3-1206	
22 mm	3-1208	3-1280
24 mm	3-1210	3-1282
25 mm		
26 mm	3-1212	3-1284
28 mm	3-1214	3-1286
30 mm	3-1216	3-1288
32 mm	3-1218	3-1290
34 mm	3-1220	3-1292
35 mm		
36 mm	3-1222	3-1294
38 mm	3-1224	3-1296
40 mm	3-1226	3-1298
42 mm	3-1228	3-1300
44 mm	3-1230	3-1302
45 mm		
46 mm	3-1232	3-1304
48 mm	3-1234	3-1306
50 mm	3-1236	3-1308
52 mm	3-1238	3-1310
54 mm	3-1240	3-1312
55 mm		
56 mm	3-1242	3-1314
58 mm	3-1244	3-1316
60 mm	3-1246	3-1318
65 mm	3-1248	3-1320
70 mm	3-1250	3-1322
75 mm	3-1252	3-1324
80 mm	3-1254	3-1326
85 mm	3-1256	3-1328
90 mm	3-1258	3-1330
95 mm	3-1260	3-1332
100 mm	3-1262	3-1334
105 mm	3-1264	3-1336
110 mm	3-1266	3-1338
115 mm	3-1268	
120 mm	3-1270	